

MODEL :		TYPE
PROJECT :		
PREPARED BY :	DATE :	

SERIES SPECIFICATIONS

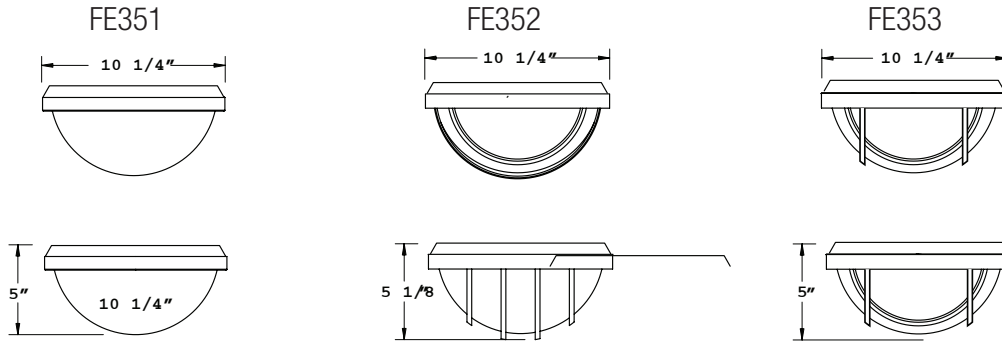
Residential eurostyle incandescent wall or ceiling mount



RoHS
COMPLIANT



CONSTRUCTION



CONSTRUCTION

Body Material

Durable Non-Corrosive UV Resistant Resins

Diffuser Material

Polycarbonate

Diffuser Finish

Frosted

ELECTRICAL SPECIFICATIONS

Voltage

120VAC

Frequency

50/60 Hz

Source

Incandescent

Lamp Base

Medium



APPLICATION AND PERFORMANCE SPECIFICATION INFORMATION IS SUBJECT TO CHANGE WITHOUT NOTIFICATION

660 NW PEACOCK BLVD.

PORT ST. LUCIE, FL 34986

TEL: 772.879.0178

TAMLITEUSA.COM

MODEL :		TYPE
PROJECT :		
PREPARED BY :	DATE :	

CERTIFICATIONS/WARRANTY

Listing

UL Listed

Location Rating

Suitable for wet locations

Warranty

Incandescent version guaranteed for one year from the purchase date of the product, against mechanical defects in manufacturing.

ORDERING INFORMATION

FE351	-I75	-W	-F
SERIES	SOURCE	BODY	DIFFUSER
FE351 FE352 FE353	[-I75] : Incandescent 75W Max	[-W] : White [-B] : Black	[-F] : Frosted