

CONTRACTOR:	
PROJECT:	DATE:
PREPARED BY:	MODEL#: VPL SERIES

## SERIES SPECIFICATIONS



### VPL SERIES

Vaporproof fixtures are rugged and economical fixtures that are ideal for walk-in coolers or freezers, tunnels, and weather resistant applications.



## CONSTRUCTION

**Housing Material:** Polycarbonate  
**Color:** Gray

**Range of Adjustment:** 90-180°

**Lens Material:** Polycarbonate

## ELECTRICAL SPECIFICATIONS

**Input Voltage:** 120-277V AC  
**Fixture Operating Current:** 0.06mA  
**Lumens:** 2200lm  
**Frequency:** 50-60Hz  
**Color Temp.:** 5000K

**Wattage:** 20W  
**Efficacy:** 110lm/W  
**L70 Lifespan:** 50,000Hrs.  
**Operating Temp.:** -30°C to 45°C  
**CRI:** 80

**Beam Angle:** 360°  
**Number of LED's:** 144  
**Storage Temp.:** -30°C to 60°C  
**Power Factor:** >0.9  
**Equivalency:** 50-70W HID

## CERTIFICATIONS/WARRANTY

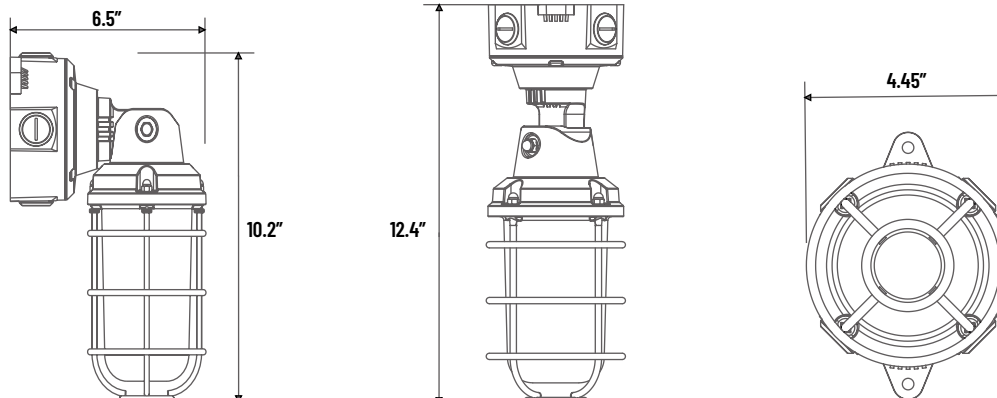
**Listing:** UL Listed

**Location Rating:** Suitable for wet locations

**IP Rating:** IP65 Rated

**Warranty:** Guaranteed for five years from the purchase date of the product, against mechanical defects in manufacturing.

## LINE DRAWINGS





<b>CONTRACTOR:</b>	
<b>PROJECT:</b>	<b>DATE:</b>
<b>PREPARED BY:</b>	<b>MODEL#: VPL SERIES</b>

**ORDERING INFORMATION**

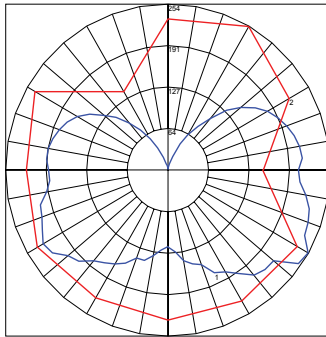
Example: VPL20G-5

SERIES	WATTAGE	COLOR	COLOR TEMP.
VPL	[20]: 20W	[G]: Gray	[-5]: 5000K

**PHOTOMETRICS**

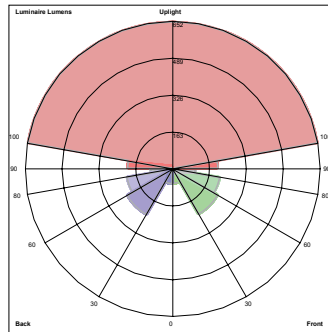
**Polar Graph**

IES ROAD REPORT  
PHOTOMETRIC FILENAME: VPL20G.IES  
POLAR GRAPH



**Luminaire Classification Graph**

IES ROAD REPORT  
PHOTOMETRIC FILENAME: VPL20G.IES  
LUMINAIRE CLASSIFICATION SYSTEM (LCS) GRAPH



**Isocandela Plot**

IES ROAD REPORT  
PHOTOMETRIC FILENAME: VPL20G.IES  
ISOFOOTCANDLE LINES OF HORIZONTAL ILLUMINANCE

