



CONTRACTOR:	
PROJECT:	DATE:
PREPARED BY:	MODEL#:

**DESCRIPTION**



**XLFLED Series**

The XLFLED Series LED Flood light has a die cast aluminum housing with "through body" heat sink for maximum heat dissipation and long LED life. Hinged front door frame. Durable bronze powdercoat finish with corrosion resistant hardware.



**FEATURES & SPECIFICATIONS**

**Construction**

Die cast aluminum housing with "through body" heat sink.

**Finish**

Powdercoat finish.

**Lens**

Clear tempered flat glass.

**Door Frame**

Hinged door with gasket.

**Mount Options**

Slipfitter - 2 3/8"  
Yoke - Wide Yoke Bracket

**Warranty**

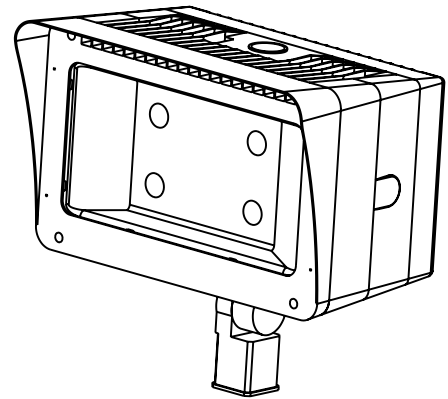
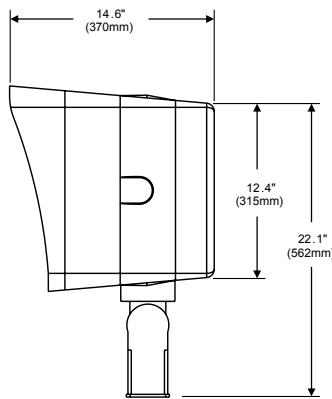
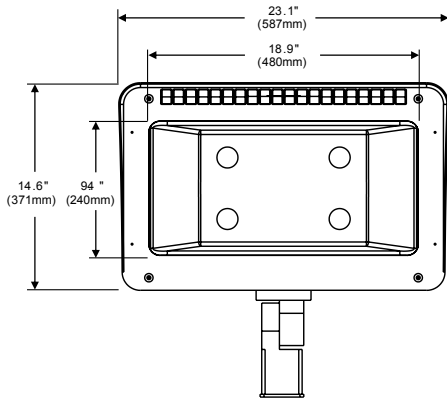
5-year limited warranty.

**IP Rating**

Fixtures are IP65 Rated

**NOTE:** Not all product variations meet Design Light Consortium Qualifications. Please verify that the product is listed on the DLC products list at [www.designlightconsortium.org/QPL](http://www.designlightconsortium.org/QPL).

**LINE DRAWING**



**ORDERING INFORMATION**

EXAMPLE: XLFLED345KSFE

SERIES	WATTAGE	COLOR TEMP	MOUNTING	VOLTAGE OPTIONS
XLFLED	[345] : 345 Watts	[5K] : 5000K	[SF] : 2 3/8" Slipfitter	[E] : 480V
			[YK] : Wide Yoke Mount	



CONTRACTOR:	
PROJECT:	DATE:
PREPARED BY:	MODEL#:

**ELECTRICAL SPECIFICATIONS**

**Input Voltage**  
480VAC

**Input Current**  
1.48A

**Power Factor**  
>1.0

**Frequency**  
50-60Hz

**Input Power**  
345w

**Efficacy**  
121+ LM/W

**THD**  
<10%

**LED Quantity**  
4

**Lumens**  
40674+ Lumens

**CRI**  
>70

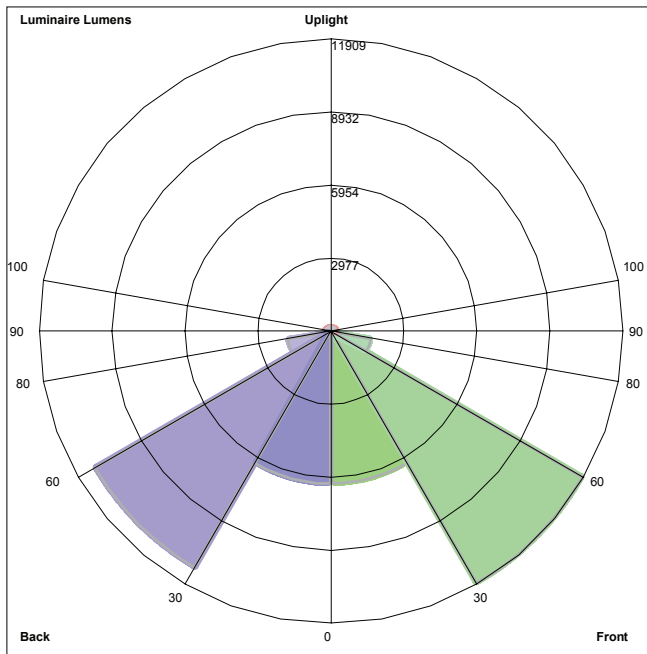
**IES Classification**  
Type VS

**Nema Type**  
7H x 7V

**Color Temp**  
5000K

**Min. Starting Temp**  
-40°C

**PERFORMANCE SPECIFICATIONS**

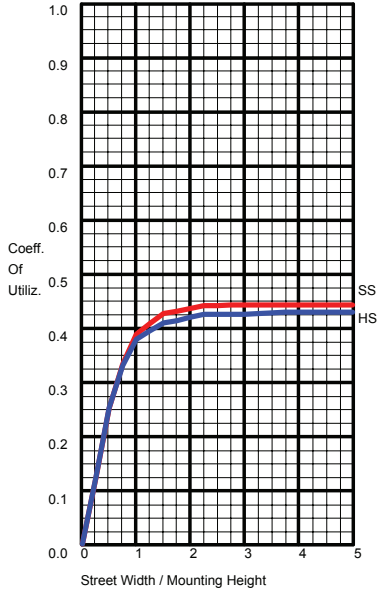


**BUG REPORT**  
**TAMLITE LIGHTING HID**  
**XLFLED3455KSF**  
**Luminaire Lumens:**  
**Front:**  
 Low=6247.9, Medium=11908.7  
 High=1701.2, Very High=20.8  
**Back:**  
 Low=6255.8, Medium=11155.6  
 High=1834.2, Very High=32.9  
**Uplight:**  
 Low=21.7, High=115.8  
**BUG Rating : B5-U3-G2**



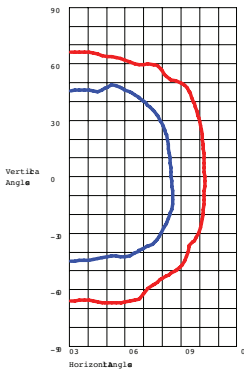
CONTRACTOR:	
PROJECT:	DATE:
PREPARED BY:	MODEL#:

**PERFORMANCE SPECIFICATIONS**

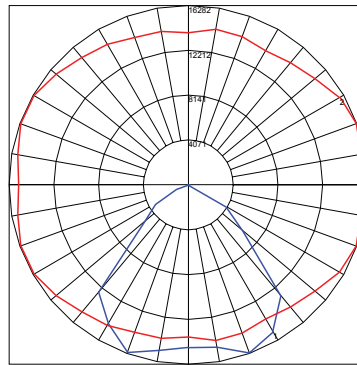


	LUMENS	PERCENT OF LAMP
DOWNWARD STREET SIDE	19878.6	44.7
DOWNWARD HOUSE SIDE	19278.5	43.3
DOWNWARD TOTAL	39157.1	88.0
UPWARD STREET SIDE	65.10	.1
UPWARD HOUSE SIDE	72.40	.2
UPWARD TOTAL	137.50	.3
TOTAL FLUX	39294.6	88.3

**PHOTOMETRIC ISOLINES**



TAMLITE LIGHTING HID  
 XLFLED3455KSF  
 Maximum Candela = 16217.46  
 Located at Horiz. Angle = -7  
 Located at Vert. Angle = 19.5  
 50% Maximum Candela = 8108.73  
 10% Maximum Candela = 1621.746



Polar Graph  
 Maximum Candela = 16282.49  
 Located at Horizontal Angle = 20  
 Vertical Angle = 20  
 Vertical Plane Through Horizontal  
 Angles (20-200)  
 Horizontal Cone Through Vertical  
 Angle (20)