



CONTRACTOR:	
PROJECT:	DATE:
PREPARED BY:	MODEL#: AAGL

SERIES SPECIFICATIONS



AAGL series

32W LED In Ground Light

The AAGL series is an in ground LED light with grey diecast aluminum housing and tempered glass lens. It's wet location rating makes it an ideal fixture for landscape and pathway lighting.



FEATURES AND SPECIFICATIONS

Housing Material
Die-cast aluminum

Finish
Grey powder coat

Cable Gland
IP-68 PG-9 PVC

Lens Material
Step Tempered Glass T=8mm

Gasket
Silicon 40 degree

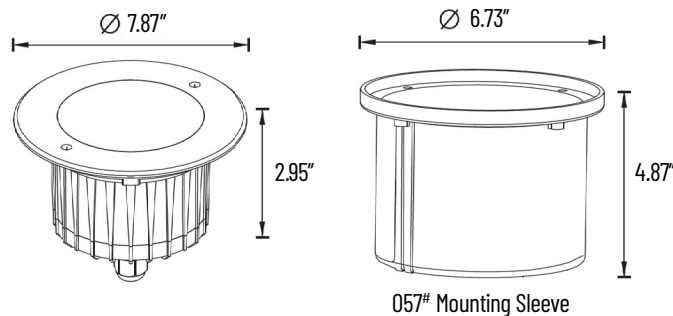
Location Rating:
Suitable for wet locations

Qualifications
IP67 Rated

Warranty
Guaranteed for three years from the purchase date of the product, against mechanical defects in manufacturing.

Input Voltage	Frequency	Wattage
24VDC	50/60Hz	31.4W±10%

LINE DRAWING





CONTRACTOR:	
PROJECT:	DATE:
PREPARED BY:	MODEL#: AAGL

ELECTRICAL SPECIFICATIONS

Power Factor
> 0.9

THD
< 20%

Beam Angle
30°

Color Temp.
3000K

Lumen Maintenance
1000Hs <5% (25°C)

LED Qty
6 x4W LEDs

Efficiency
36lm/W

Operating Temp
-20°C~40°C

Lumens
1180 lm

Operating Current
1310mA

ORDERING INFORMATION

EXAMPLE: AAGL-RGBW32GR-24

SERIES	COLOR	WATTAGE	FINISH	VOLTAGE
AAGL	[-RGBW] : Red, Green, Blue, White	[32] : 32W	[GR] : Gray	[-24] : 24VDC