

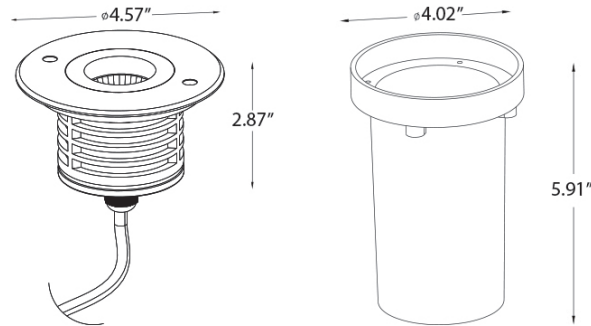
MODEL :		TYPE
PROJECT :		
PREPARED BY :	DATE :	

SERIES SPECIFICATIONS

The AAGL series is an in ground LED light with grey die-cast aluminum housing and tempered glass lens. Its wet location rating makes it an ideal fixture for landscape and pathway lighting.



LINE DRAWING



CONSTRUCTION

Housing Material

Die-cast aluminum

Finish

Grey powder coat

Cable Gland

IP68 PG-9 PVC

Lens Material

Step Tempered Glass T=8mm

Reflector

>90% efficiency optical reflector

PHYSICAL SPECIFICATIONS

Input Voltage

24VDC

Wattage

6.8W

Operating Current

270mA

MODEL :	TYPE
PROJECT :	
PREPARED BY :	DATE :

ELECTRICAL SPECIFICATIONS

Power Factor

> 0.9

THD

< 20%

Input Current

0.255A

Color Temp.

3000K

Operating Temp.

-20°C ~ 40°C

Lumens

660 lm

Efficiency

97lm/W

CERTIFICATIONS/WARRANTY

Location Rating:

Suitable for Wet locations

Qualifications

IP67 Rated

Warranty

Guaranteed for three years from the purchase date of the product, against mechanical defects in manufacturing.

ORDERING INFORMATION

Sample Part Number: AAGL-37GR-24

AAGL	-3	7	GR	-24
SERIES	COLOR TEMP	LAMP WATTAGE	COLOR	VOLTAGE
TAWL	[-3] : 3000K	[7] : 7 Watt	[GR] : Grey	[-24] : 24VDC