

MODEL :		TYPE
PROJECT :		
PREPARED BY :	DATE :	

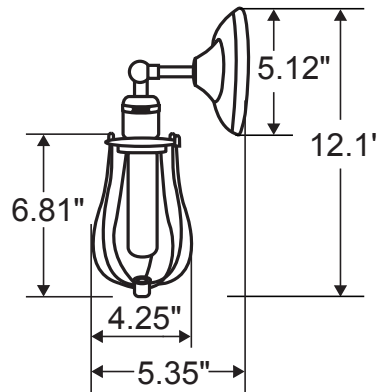
## SERIES SPECIFICATIONS

## ADS SERIES

The ADS Series Wall Sconce from TamLite provides a transitional design between contemporary and traditional giving off an industrial feel with a modern look. The ADS features iron wrought bars protecting the lamp along with an iron base creating a tough unit in a lightweight compact design.



## LINE DRAWING



## CONSTRUCTION

Shade/Conopy Material  
Iron

Lampholder Material  
Aluminum

Color  
Matte Black

## ELECTRICAL SPECIFICATIONS

Lamp Base  
E26

Max Lamp Wattage  
60W

Wire Length (In.)  
N/A

Wire Gauge  
2 Core, 18AWG

MODEL :		TYPE
PROJECT :		
PREPARED BY :	DATE :	

## WARRANTY

### Warranty

Guaranteed one year from the purchase date of the product including, against mechanical defects in manufacturing.

## ORDERING INFORMATION

Part Number: ADSIDBK

ADS	ID	BK
SERIES	Shade	Color
ADS	[ID] : Industrial	[BK] : Matte Black