



CONTRACTOR:	
PROJECT:	DATE:
PREPARED BY:	MODEL#:

DESCRIPTION



ALPSLED Series

Low profile die cast aluminum housing with integral heat sink and durable bronze powdercoat finish. Driver compartment has a hinged door with gasket. Corrosion resistant exterior stainless steel screws.



FEATURES & SPECIFICATIONS

Construction

Die cast aluminum back housing with integral heat sink.

Finish

Powdercoat finish.

Lens

Polycarbonate

Dimmer

Electronic Dimmable Driver.

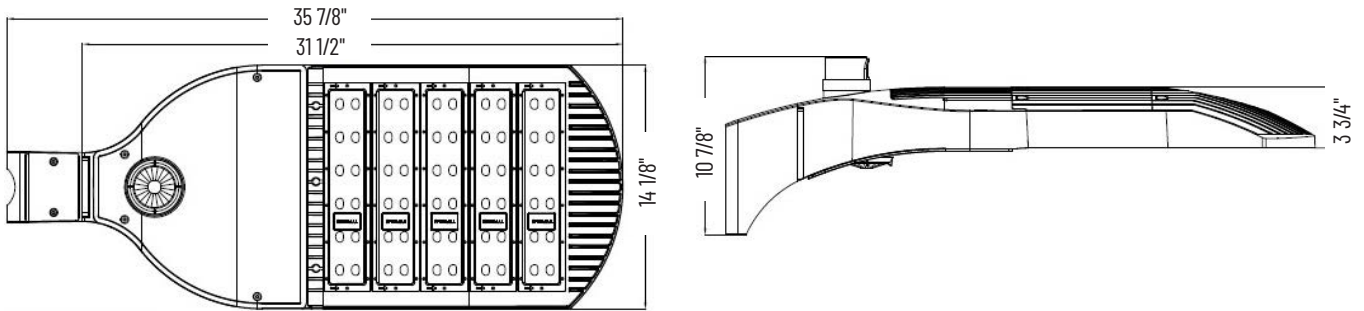
Driver Compartment

Hinged door with gasket.

Photocell Capability

7 pin photocell socket with shorting cap.

LINE DRAWING



ORDERING INFORMATION

EXAMPLE: ALPSLED3705KT5-UN4

SERIES	WATTAGE	COLOR TEMP	DISTRIBUTION	VOLTAGE	MOUNTING	OPTIONS
ALPSLED	[370] : 370 Watts	[5K] : 5000K	[T5] : Type V	[-UN4] : 480V	[-SP] : Square Pole Arm	[-HS] : House Side Shield
					[-R3] : 3" Round Pole	
					[-R4] : 4" Round Pole	
					[-R5] : 5" Round Pole	
					[-SF] : 2 3/8" Slipfitter	



CONTRACTOR:	
PROJECT:	DATE:
PREPARED BY:	MODEL#:

ELECTRICAL SPECIFICATIONS

Input Voltage
347-480VAC

Input Current
3.1A

Power Factor
>0.9

Frequency
50-60Hz

Input Power
370w

THD
<10%

Efficacy
119+ LM/W

LED Quantity
(6) 12 chip modules

Lens Type
V

CRI
>70

Dimming
0-10V

Lumens
43000+ Lumens

Color Temp
5000K

Beam Angle
116.2°

ACCESSORIES

AL-HS
House side shield (6 pieces required)

AL-PS3R
3" round pole adapter

AL-PSSF
2-3/8" slipfitter

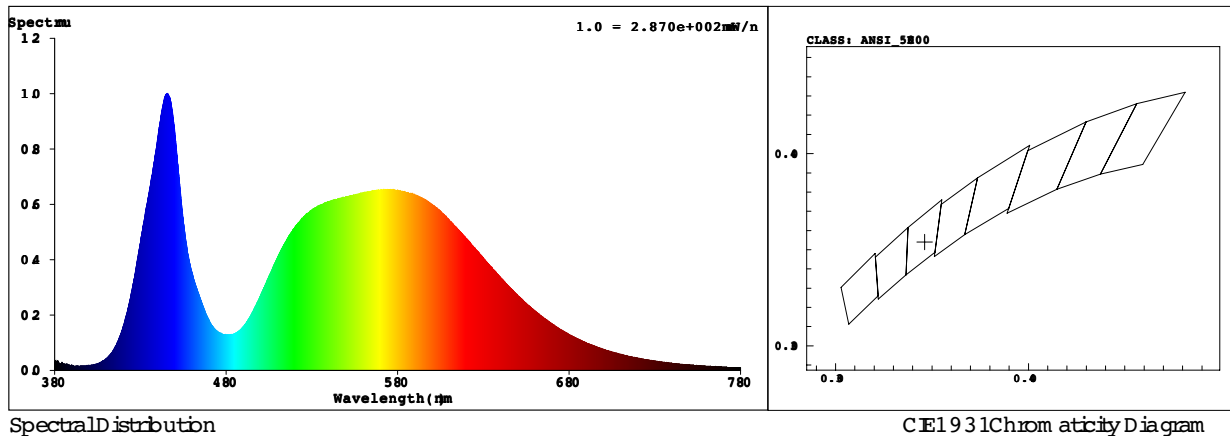
AL-PS4R
4" round pole adapter

AL-PSSQ
Square pole mount arm

AL-PS5R
5" round pole adapter

PERFORMANCE SPECIFICATIONS

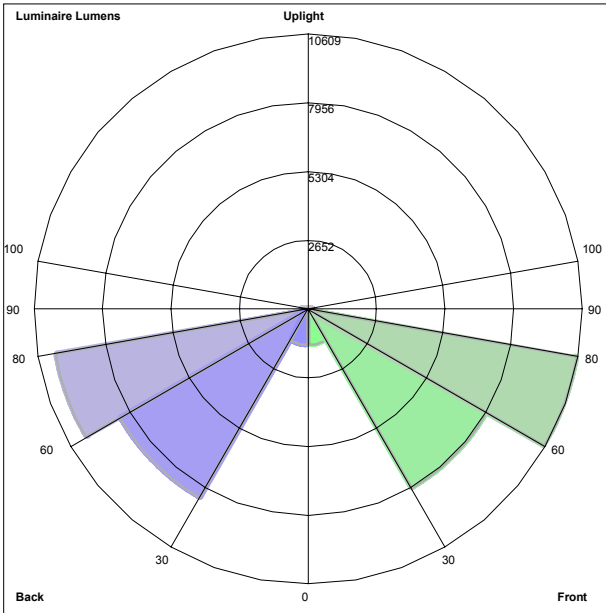
SPECTRAL POWER DISTRIBUTION & CHROMATICITY DIAGRAM



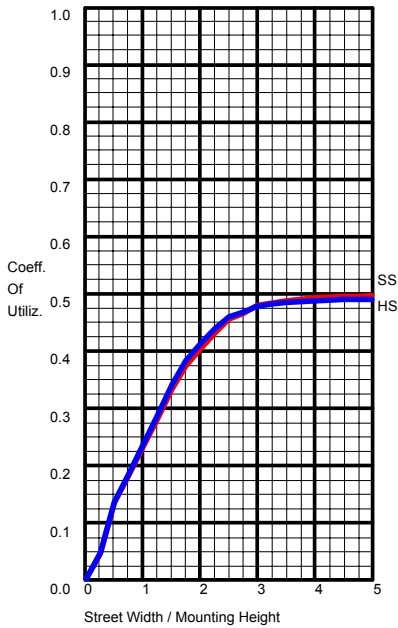


CONTRACTOR:	
PROJECT:	DATE:
PREPARED BY:	MODEL#:

PERFORMANCE SPECIFICATIONS



BUG REPORT
TAMLITE LIGHTING HID
ALPSLED3705KT5-UN4
 Luminaire Lumens:
 Front:
 Low=1413.2, Medium=8027.4,
 High=10608.5, Very High=262.1
 Back:
 Low=1419.4, Medium=8436.0,
 High=9963.4, Very High=195.7
 Uplight:
 Low=0.0, High=0.0
BUG Rating : B5-U0-G4

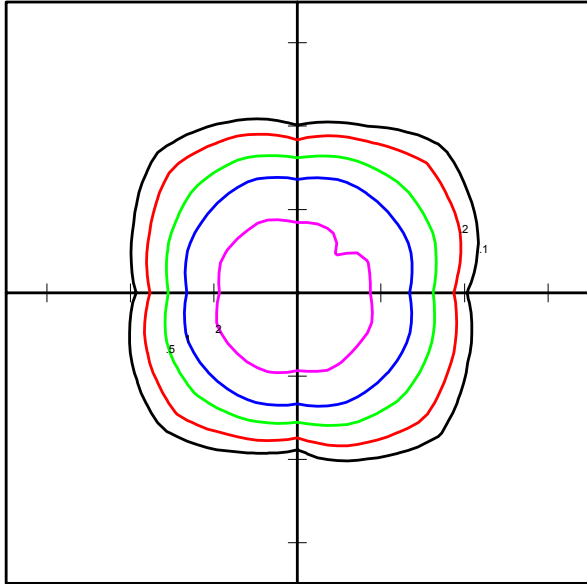


	LUMENS	PERCENT OF LAMP
DOWNWARD STREET SIDE	20311.3	50.4
DOWNWARD HOUSE SIDE	20014.5	49.6
DOWNWARD TOTAL	40325.8	100
UPWARD STREET SIDE	0.0	0.0
UPWARD HOUSE SIDE	0.0	0.0
UPWARD TOTAL	0.0	0.0
TOTAL FLUX	40325.8	100.0

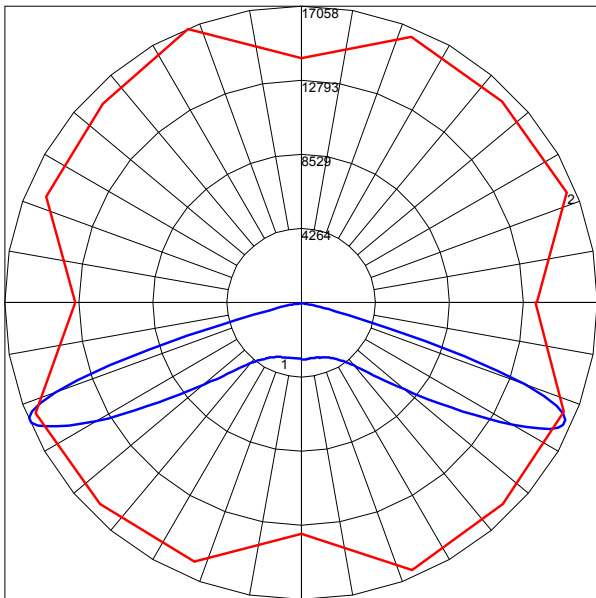


CONTRACTOR:	
PROJECT:	DATE:
PREPARED BY:	MODEL#:

PHOTOMETRIC ISOLINES



TAMLITE LIGHTING HID
 ALPSLED3705KT5-UN4
 Horizontal Footcandles
 Scale : 1 Hash = 50 Ft.
 Light Loss Factor = 1.00
 Lumens Per Lamp = N.A.
 Lumens = 40326
 Mounting Height = 30.00 Ft
 Maximum Calculated Value = 3.63 Fc
 Arrangement: Single



Polar Graph
 Maximum Candela = 17057.78
 Located at Horizontal Angle = 112.5
 Vertical Angle = 66
 Vertical Plane Through Horizontal
 Angles
 (112.5 - 292.5)
 Horizontal Cone Through Vertical
 Angle
 (66)