

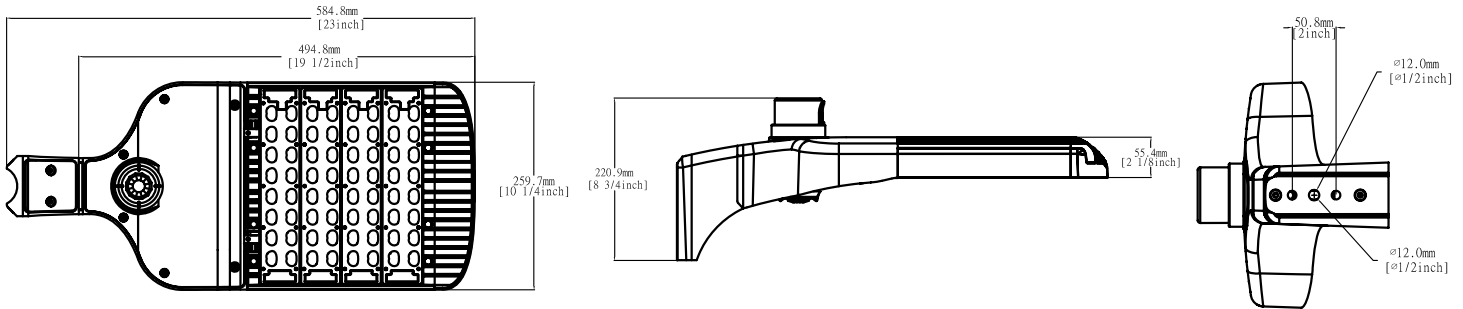
MODEL :		TYPE
PROJECT :		
PREPARED BY :	DATE :	

## SERIES SPECIFICATIONS

The ARPS LED area light with its low profile and architectural styling is a great alternative to conventional shoe box luminaires. It is designed to be flexible with interchangeable optics and multiple mounting options.



## LINE DRAWING



## CONSTRUCTION

**Housing**  
Die cast aluminum back housing with integral heat sink

**Lens**  
Polycarbonate

**Finish**  
Powdercoat finish

**Driver Compartment**  
Hinged door with gasket

**Dimmer**  
Electronic Dimmable Driver

**Photocell Capability**  
7 pin photocell socket with shorting cap

## ELECTRICAL SPECIFICATIONS

**Input Voltage**  
120-277VAC or 347-480VAC

**Drive Current**  
2.8A

**Input Power**  
140W

**Input Current**  
1.2A

**Power Factor**  
> 0.9

MODEL :		TYPE
PROJECT :		
PREPARED BY :	DATE :	

### ELECTRICAL SPECIFICATIONS CONT.

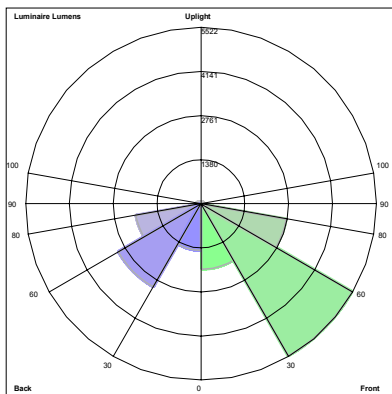
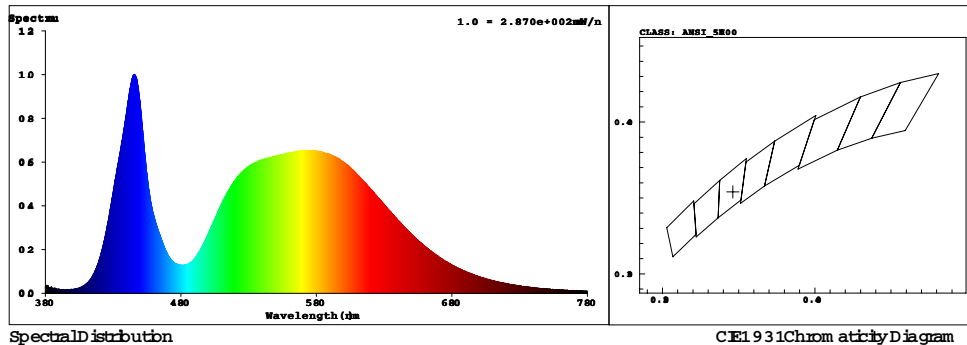
THD <20%	Efficacy 124+ LM/W	Color Temp 5000K
Frequency 50-60Hz	CRI > 70	Beam Angle 88.4°
LED Quantity (4) 16 chip modules	Dimming 0-10V	Lifespan 50000 Hrs.
Lens Type II	Lumens 15000+ Lumens	

### ACCESSORIES

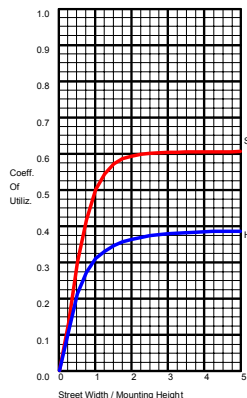
AR-HS House side shield (4 pieces required)	AR-PSSF 2-3/8" slipfitter	AR-PSSQ Square pole mount arm
AR-PS3R 3" round pole adapter	AR-PS4R 4" round pole adapter	AR-PS5R 5" round pole adapter

### PERFORMANCE SPECIFICATIONS

SPECTRAL POWER DISTRIBUTION & CHROMATICITY DIAGRAM



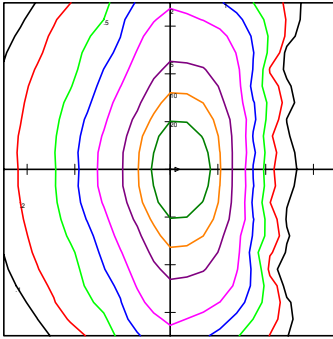
BUG REPORT  
 TAMLITE LIGHTING HID  
 ARPSLED1405KT2-UNV  
 Luminaire Lumens:  
 Front:  
 Low=2067.0, Medium=5521.7,  
 High=2744.3, Very High=52.3  
 Back:  
 Low=1477.1, Medium=3023.4,  
 High=2097.9, Very High=64.1  
 Uplight:  
 Low=0.0, High=0.0  
 BUG Rating : B3-U0-G3



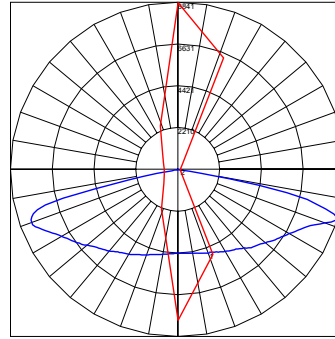
	LUMENS	PERCENT OF LAMP
DOWNWARD STREET SIDE	10385.3	60.9
DOWNWARD HOUSE SIDE	6662.5	39.1
DOWNWARD TOTAL	17047.8	100
UPWARD STREET SIDE	0.0	0.0
UPWARD HOUSE SIDE	0.0	0.0
UPWARD TOTAL	0.0	0.0
TOTAL FLUX	17047.8	100.0

MODEL :		TYPE
PROJECT :		
PREPARED BY :	DATE :	

### PHOTOMETRIC ISOLINES



TAMLITE LIGHTING HID  
 ARPSLED1405KT2-UNV  
 Horizontal Footcandles  
 Light Loss Factor = 1.00  
 Lumens Per Lamp = N.A.  
 Lumens = 17048  
 Mounting Height = 10.00 Ft  
 Maximum Calculated Value = 44.66 Fc  
 Arrangement: Single



Polar Graph  
 Maximum Candela = 8841.1  
 Located at Horizontal Angle = 90  
 Vertical Angle = 73  
 Vertical Plane Through Horizontal  
 Angles  
 (90 - 270)  
 Horizontal Cone Through Vertical  
 Angle  
 (73)

### CERTIFICATIONS/WARRANTY

Listing  
 UL Listed

Location Rating:  
 Suitable for wet locations

Warranty

Guaranteed for five years from the purchase date of the product, against mechanical defects in manufacturing.

DLC Listing

Fixtures are DLC listed and featured of the Qualified Products List (QPL).\*\*

### ORDERING INFORMATION

Sample Part Number: ARPSLED1405KT2

Carton Dimensions: 59.50x33.99x17.99CM  
 23.43x13.39x7.09IN

Weight: 14.77 LBS

ARPSLED	140	5K	T2			
SERIES	WATTAGE	COLOR TEMP	DISTRIBUTION	VOLTAGE	MOUNTING	OPTIONS
ARPSLED	[140] : 140 Watts	[5K] : 5000K	[T2] : Type II	[-UNV] : 120-277V	[-SP] : Square Pole Arm	[-HS] : House Side Shield
				[-UN4] : 480V	[-R3] : 3" Round Pole	
					[-R4] : 4" Round Pole	
					[-R5] : 5" Round Pole	
					[-SF] : 2 3/8" Slipfitter	

### NOTES

\*\*Not all product variations meet Design Light Consortium Qualifications. Please verify that the product is listed on the DLC products list at [www.designlightconsortium.org/QPL](http://www.designlightconsortium.org/QPL).