

CONTRACTOR:	
PROJECT:	DATE:
PREPARED BY:	MODEL#: CH-6-WSCS-WH-UZTD

**SERIES SPECIFICATIONS**



**CH-6-WSCS-WH-UZTD**

Properly replace commercial-grade recessed downlights with the unbeatable longevity and energy efficiency of LED. The built-in spring clips hold onto drywall directly allowing the CH series to be installed without a frame, making installation faster and more cost effective.



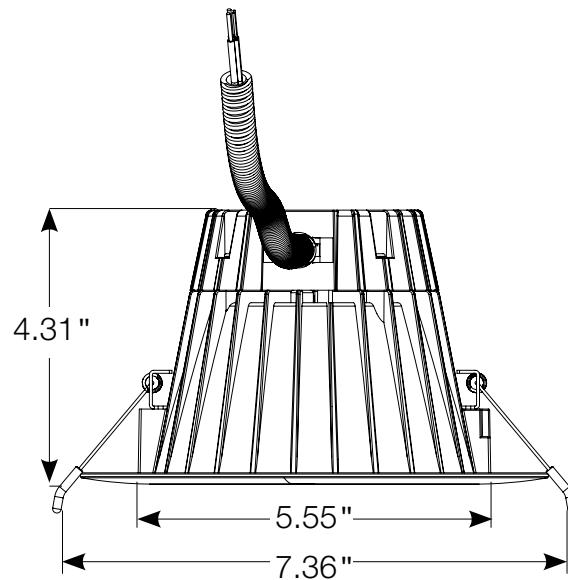
**CONSTRUCTION**

**Housing Material:** Aluminum  
**Mounting Style:** Spring Clips

**LED Driver:** Electronic Driver  
**Lens Material:** Frosted Plastic

**Finish:** White

**LINE DRAWINGS**



**ELECTRICAL SPECIFICATIONS**

**Input Voltage:** 120-347V  
**CRI:** >90  
**Input Wattage:** 12 / 17.5W  
**Efficacy:** 83.3-85.7lm/w  
**Power Factor:** >0.7

**Beam Angle:** 90°  
**Frequency:** 60Hz  
**Dimming:** 10-100%  
**Lifespan:** 50,000hrs.  
**Color Temp.:** 3000K, 3500K, 4000K, & 5000K

**Min. Starting Temp.:** -4°F (-20°C)  
**THD:** <20%  
**Lumens:** 1000-1500lm  
**Max. Temp.:** 104°F (40°C)



<b>CONTRACTOR:</b>	
<b>PROJECT:</b>	<b>DATE:</b>
<b>PREPARED BY:</b>	<b>MODEL#:</b> CH-6-WSCS-WH-UZTD

## CERTIFICATIONS/WARRANTY

**Listing:** ETL Listed

**Location Rating:** Suitable for wet locations

**Warranty:** Guaranteed five years from the purchase date of the product, against mechanical defects in manufacturing.

## ORDERING INFORMATION

**Example:** CH-6-WSCS-WH-UZTD

SERIES	SIZE	WATTAGE	COLOR TEMP.	FINISH	DIMMING
CH	[-6]: 6"	[-WS]: Wattage Selectable	[CS]: Color Selectable	[-WH]: White	[-UZTD]: Dimmable

## COMPATIBLE DIMMER LIST

BRAND	MODEL
Sylvania	45167
Leviton Decora	IP710-LFZ
Lutron Diva	DVSTV-WH
Cooper	DF10P-C1