

CONTRACTOR:	
PROJECT:	DATE:
PREPARED BY:	MODEL#: CH-8-WSCS-WH-UZTD

SERIES SPECIFICATIONS



CH-8-WSCS-WH-UZTD

Properly replace commercial-grade recessed downlights with the unbeatable longevity and energy efficiency of LED. The built-in spring clips hold onto drywall directly allowing the CH series to be installed without a frame, making installation faster and more cost effective.



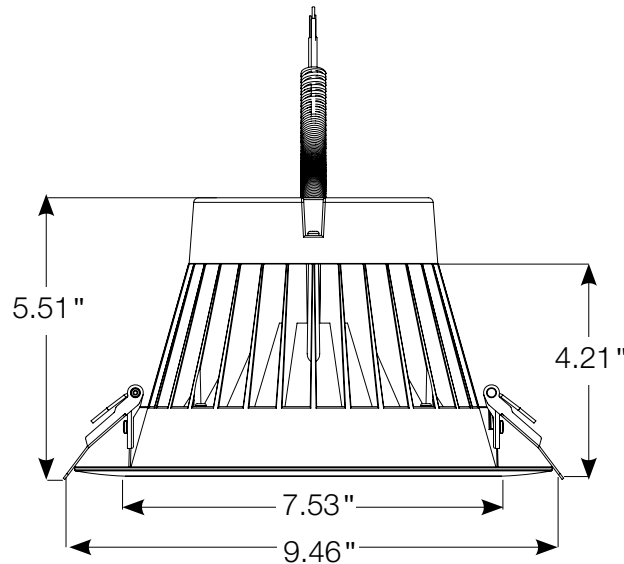
CONSTRUCTION

Housing Material: Aluminum
Mounting Style: Spring Clips

LED Driver: Electronic Driver
Lens Material: Frosted Plastic

Finish: White

LINE DRAWINGS



ELECTRICAL SPECIFICATIONS

Input Voltage: 120-347V
CRI: >90
Input Wattage: 18 / 24W
Efficacy: 83.3-88.2lm/w
Power Factor: >0.8

Beam Angle: 90°
Frequency: 60Hz
Dimming: 10-100%
Lifespan: 50,000hrs.
Color Temp.: 3000K, 3500K, 4000K, & 5000K

Min. Starting Temp.: -4°F (-20°C)
THD: <20%
Lumens: 1500-2000lm
Max. Temp.: 104°F (40°C)



CONTRACTOR:	
PROJECT:	DATE:
PREPARED BY:	MODEL#: CH-8-WSCS-WH-UZTD

CERTIFICATIONS/WARRANTY

Listing: ETL Listed

Location Rating: Suitable for wet locations

Warranty: Guaranteed five years from the purchase date of the product, against mechanical defects in manufacturing.

ORDERING INFORMATION

Example: CH-8-WSCS-WH-UZTD

SERIES	SIZE	WATTAGE	COLOR TEMP.	FINISH	DIMMING
CH	[-8]: 8"	[-WS]: Wattage Selectable	[CS]: Color Selectable	[-WH]: White	[-UZTD]: Dimmable

COMPATIBLE DIMMER LIST

BRAND	MODEL
Sylvania	45167
Leviton Decora	IP710-LFZ
Lutron Diva	DVSTV-WH
Cooper	DF10P-C1