

MODEL :		TYPE
PROJECT :		
PREPARED BY :	DATE :	

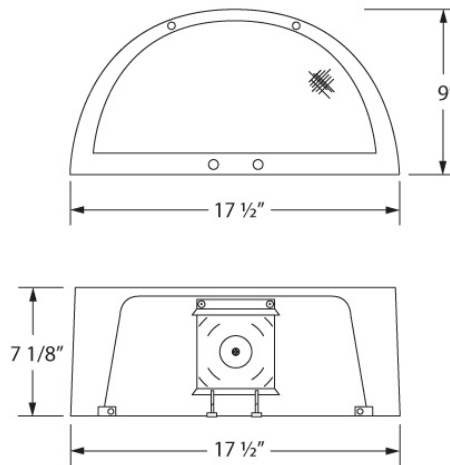
SPECIFICATIONS

CWSD SERIES

The Contour Wall Sconce Down Light is an architectural wall pack designed to provide façade lighting in a stylish design. Common uses include malls, hotels, theaters and other commercial applications.



LINE DRAWING



CONSTRUCTION

HOUSING

Die-cast aluminum housing, corrosion resistant external stainless steel hardware, bronze powder-coat finish.

REFLECTOR

Formed aluminum reflector

MOUNTING

Mount over a 4" recessed outlet box. Includes Easy-Hang "Two Hands Free" wall mounting bracket.

LENS

Flat tempered glass lens

ELECTRICAL

SOCKET

Porcelain 4KV pulse rated medium base socket with nickel plated screw shell.

SOURCE/WATTAGE

High Pressure Sodium: 35W to 150W
 Metal Halide: 50W to 150W

LISTINGS/RATINGS

LISTINGS/RATINGS/COMPLIANCE

CSA or UL Listed
 Suitable for wet locations.

WARRANTY

WARRANTY

Guaranteed for one year against mechanical defects in manufacturing.

MODEL :		TYPE
PROJECT :		
PREPARED BY :	DATE :	

ORDERING INFORMATION

Sample Part Code: CWSDMHQ100L

CWSD				L
SERIES	SOURCE	VOLTAGE	LAMP WATTAGE	LAMPS INCLUDED
CWSD	[HP] : High Pressure Sodium [MH] : Metal Halide	[A] : 120V *HPS Only [E] : 480V *150W Only [Q] : 120/208/240/277V	[35] : 35W *HPS Only [50] : 50W [70] : 70W [100] : 100W [150] : 150W	[L] : Lamp Included