

MODEL :		TYPE
PROJECT :		
PREPARED BY :	DATE :	

## SPECIFICATIONS

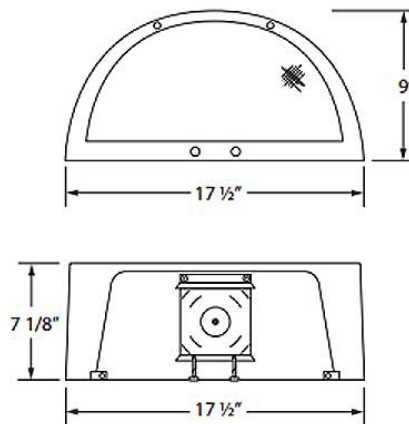
## CWSU SERIES

The Contour Wall Sconce Up/Down Light is an architectural wall pack designed to provide facade lighting in a stylish design.

Common uses include malls, hotels, theaters and other commercial applications.



## LINE DRAWING



Max. Weight 22 lbs.

## CONSTRUCTION

### HOUSING

Die-cast aluminum housing, corrosion resistant external stainless steel hardware, bronze powder-coat finish.

### REFLECTOR

Formed aluminum

### MOUNTING

Mount over a 4" recessed outlet box. Includes Easy-Hang "Two Hands Free" wall mounting bracket.

### LENS

Tempered flat glass lens on bottom and oval polycarbonate lens for uplight.

## ELECTRICAL

### SOCKET

Porcelain 4KV pulse rated medium base socket with nickel plated screw shell.

### SOURCE/WATTAGE

High Pressure Sodium: 35W to 150W  
 Metal Halide: 50W to 150W

## LISTINGS/RATINGS

### LISTINGS/RATINGS/COMPLIANCE

CSA or UL listed  
 Suitable for wet locations.

## WARRANTY

### WARRANTY

Guaranteed for one year against mechanical defects in manufacturing.



**TAMLITE**  
L I G H T I N G

MODEL :		TYPE
PROJECT :		
PREPARED BY :	DATE :	

**ORDERING INFORMATION**

**Sample Part Code: CWSUMHQ100L**

CWSU				L
SERIES	SOURCE	VOLTAGE	LAMP WATTAGE	LAMPS INCLUDED
CWSU	[HP] : High Pressure Sodium [MH] : Metal Halide	[A] : 120V *HPS Only [E] : 480V *150W Only [Q] : 120/208/240/277V	[35] : 35W *HPS Only [50] : 50W [70] : 70W [100] : 100W [150] : 150W	[L] : Lamp Included

