

MODEL :		TYPE
PROJECT :		
PREPARED BY :	DATE :	

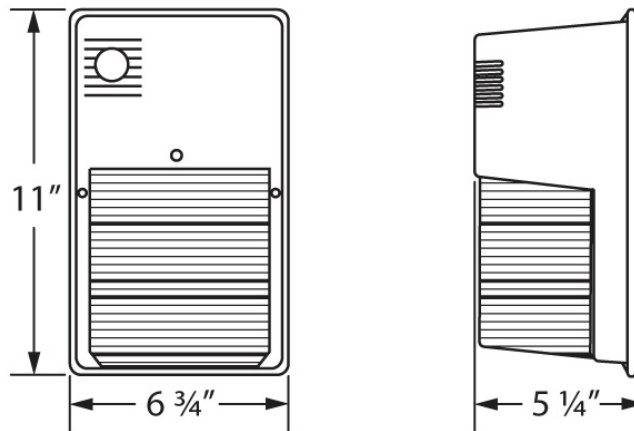
SPECIFICATIONS

CYC SERIES

The cyclops wall pack is an economical choice for both residential and commercial applications where a compact, vandal resistant fixture is required. This unit is ideal for entry ways, walkways, corridors, stairwells and comes with a photocell installed.



LINE DRAWING



CONSTRUCTION

HOUSING

Die cast aluminum back plate with cast-in template for mounting over an electrical box and 1/2" coin plug with o-ring for conduit entry on the bottom, and corrosion resistant external stainless steel screws. Bronze polycarbonate front housing with clear prismatic lens area. Internally mounted photocell included.

REFLECTOR

Formed aluminum reflector

MOUNTING

Optional cast aluminum mounting plate mounts directly over a 4" recessed outlet box or use 1/2" surface mount conduit connection.

LENS

Molded prismatic surface polycarbonate lens with gasket.

ELECTRICAL

SOCKET

Porcelain 4KV pulse rated medium base socket with nickel-plated screw shell.

SOURCE/WATTAGE

High Pressure Sodium: 35W to 70W

LISTINGS/RATINGS

LISTINGS/RATINGS/COMPLIANCE

CSA or UL Listed
 Suitable for wet locations.

WARRANTY

WARRANTY

Guaranteed for one year against mechanical defects in manufacturing.

MODEL :		TYPE
PROJECT :		
PREPARED BY :	DATE :	

ORDERING INFORMATION

Sample Part Code: CYCH70AL

CYC	H		A	L
SERIES	SOURCE	LAMP WATTAGE	VOLTAGE	LAMPS INCLUDED
CYC	[H] : High Pressure Sodium	[35] : 35 Watt [50] : 50 Watt [70] : 70 Watt	[A] : 120	[L] : Lamp Included