

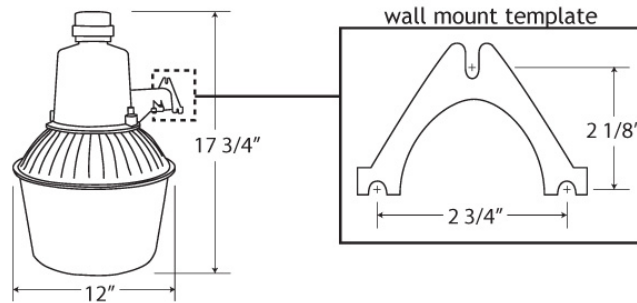
MODEL :		TYPE
PROJECT :		
PREPARED BY :	DATE :	

SPECIFICATIONS

The Dusk to Dawn Security is an excellent choice where an economical, dependable light source with dusk to dawn operation is desired. These fixtures are ideal for use as security lighting in applications such as yards, alley ways, and commercial building perimeters. All models have a 90° extension arm and mounting hardware included.



LINE DRAWING



CONSTRUCTION

CONSTRUCTION

Die-cast Aluminum Housing with integral wall mount flange, 90 degree extension arm and mounting hardware included. 120V Twist-lock photocell included.

REFLECTOR

Formed aluminum reflector

MOUNTING

Surface mount with integral flange or use 90 degree extension arm (included)

LENS

12" prismatic polycarbonate refractor

ELECTRICAL

SOCKET

Porcelain 4KV pulse rated medium base socket with nickel-plated screw shell.

SOURCE/WATTAGE

100 Watt pulse start metal halide
 150 Watt high pressure sodium
 120V Twist-lock photocell included (all models)

LISTINGS/RATINGS

LISTINGS/RATINGS/COMPLIANCE

UL Listed
 Suitable for wet locations

WARRANTY

WARRANTY

Guaranteed for one year against mechanical defects in manufacturing

MODEL :		TYPE
PROJECT :		
PREPARED BY :	DATE :	

ORDERING INFORMATION

Sample Part Code: DDMH100L

DD			L
SERIES	SOURCE	LAMP WATTAGE	LAMPS INCLUDED

DD

[HPS] : High Pressure Sodium
 [MH] : Metal Halide

[100] : 100 Watt *MH only
 [150] : 150 Watt *HPS Only

[L] : Lamp Included