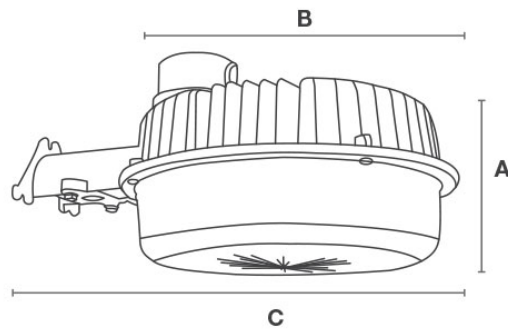


MODEL :		TYPE
PROJECT :		
PREPARED BY :	DATE :	

**SPECIFICATIONS**
**DDLED SERIES**

Product made of a die-cast aluminum housing with gray powder-coat finish and integral heat sink.


**LINE DRAWING**


DIMENSIONS	A	B	C
DDLED	6 7/8 "	10 "	13 7/8 "

**CONSTRUCTION**
**HOUSING**

Diecast aluminum housing with gray powdercoat finish and integral heat sink and arm flange for surface mounting. 120V photocontrol and socket

**MOUNTING**

Mount with integral three hole flange on housing arm, or use 90 degree extension arm (included)

**LENS**

Prismatic polycarbonate vandal resistant refractor.

**ELECTRICAL**
**LIGHT OUTPUT PERFORMANCE**

TOTAL LUMENS: 2167  
 DOWNWARD LUMENS: 1950  
 LUMENS PER WATT: 58.6  
 COLOR TEMP.: 5000K  
 CRI: 75  
 OPTIC : TYPE IV CUTOFF  
 LIFE : 50,000 Hours

**ELECTRICAL DETAILS**

INPUT VOLTAGE : 120-277V  
 FREQUENCY: 50/60 Hz  
 INPUT WATTAGE: 42.2 WATTS  
 MIN START TEMP : -30°C

120V photocontrol included  
 photocontrol must be replaced when connecting unit to 208, 240, or 277V

**LISTINGS/RATINGS**
**LISTINGS/RATINGS/COMPLIANCE**

UL: Listed Wet Locations.

**WARRANTY**
**WARRANTY**

Guaranteed for 3 year against mechanical defects in manufacturing.

MODEL :		TYPE
PROJECT :		
PREPARED BY :	DATE :	

**ORDERING INFORMATION**

**Sample Part Code: DDLED37W**

<b>DDLED</b>	<b>37W</b>
<b>SERIES</b>	<b>WATTAGE</b>

DDLED [37W] : 37 Watts