



CONTRACTOR:	
PROJECT:	DATE:
PREPARED BY:	MODEL#:

SERIES SPECIFICATIONS



ESRD BREM CS Series

The ESRD-BREM-CS is an architectural LED emergency wall pack which features an integrated photocell and adjustable color temperature. This fixture includes built in emergency capability making it ideal for numerous applications.



CONSTRUCTION

- Housing Material**
Die-cast aluminum housing sealed and gasketed
- Finish**
Durable powder coat
- Charger**
Fully automatic solid-state, two rate charger initiates battery charging to recharge a discharged battery in 24 hours
- Normal Weather Operation**
Can be used as a normally-on or normally-off light as well as on a switched circuit
- Operating Temperature**
-30° - 50°C

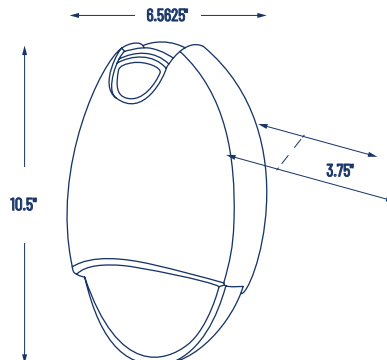
- Mounting**
Wall mount with back power lead or conduit power lead
- Warranty**
5-year limited warranty.
- Listings**
UL listed to US safety standards. Wet location listed. Cold Location Listed.

NOTE: Actual performance may differ as a result of end-user environment and application. All values are design or typical values, measured under laboratory conditions at 25 °C. Specifications subject to change without notice.

ELECTRICAL SPECIFICATIONS

- Battery Type**
6.4V 1500MAH LiFePO4 battery
- Operating Voltage**
120-277V
- Wattage**
Standby 11W, Max. 16W
- Photocell**
Integrated photocell with ON/OFF switch
- Color Temperature**
3K/4K/5K
- Emergency Illumination**
Minimum 90 minutes
- Lumens**
1250lm AC mode, 400lm emergency mode
- LPW**
100Lm/W
- CRI**
>80
- Self-Diagnostic**
Self-diagnostic test feature continually diagnoses units performance and tests system to ensure reliable operation and to meet electrical and life safety codes.

LINE DRAWINGS



APPLICATION AND PERFORMANCE SPECIFICATION IS SUBJECT TO CHANGE WITHOUT NOTIFICATION



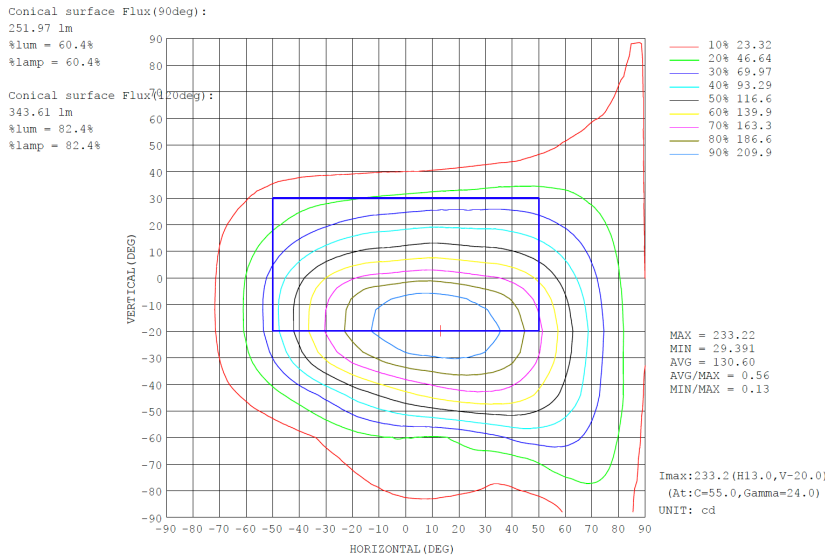
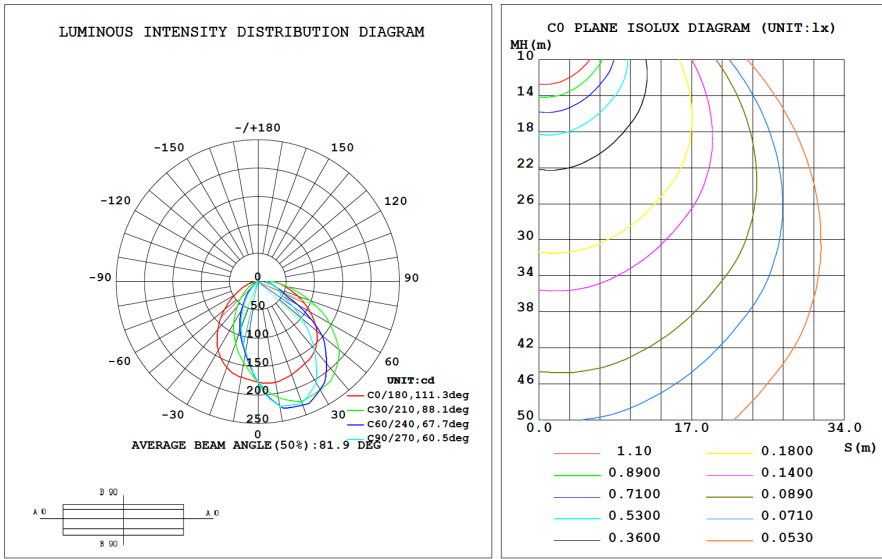
CONTRACTOR:	
PROJECT:	DATE:
PREPARED BY:	MODEL#:

ORDERING INFORMATION

EXAMPLE: ESRD BREM CS

SERIES	HOUSING COLOR	OPERATION	OPTIONS
ESRD	[BR] : Bronze	[EM] : Emergency Backup	[CS] : Color Selectable

PHOTOMETRICS



APPLICATION AND PERFORMANCE SPECIFICATION IS SUBJECT TO CHANGE WITHOUT NOTIFICATION