

Catalog #:	07/14/2016
Project:	Type:
Prepared By:	

DESCRIPTION

4" IC Air-Tight New Work Housing
Line Voltage: 120V - 50W R/PAR20

HOUSING

IC rated air-tight housing, thermally protected against misuse of insulation materials and improper lamping
J-box is listed for through-branch circuit wiring with (6) 1/2" knockouts, (1) 3/4" knockout and (4) pro-outs Romex cable clamp
Housing adjusts to accommodate various ceiling thicknesses
Pre-installed hanger bars allow for free positioning within a 24" joist span
Triangulated bar hangers with nails and leveling tab on the footprint
Bar hangers are designed to fit T-bar spine without additional clamps for drop ceiling usage
5 1/2" height allows use in 2" x 6" construction
Ceiling Cutout Size : 4.22"

SOCKET

Medium base porcelain socket on adjustable mounting bracket for proper lamp positioning

LISTINGS/RATINGS/COMPLIANCE

UL, C-UL listed for damp location, feed through wiring and direct contact with insulation.

Certified under ASTM-E283 for Airtight Construction

WARRANTY

Guaranteed one year from the purchase date of the product, against mechanical defects in manufacturing.

NOTES

Product performance may vary depending on model and end user environment.

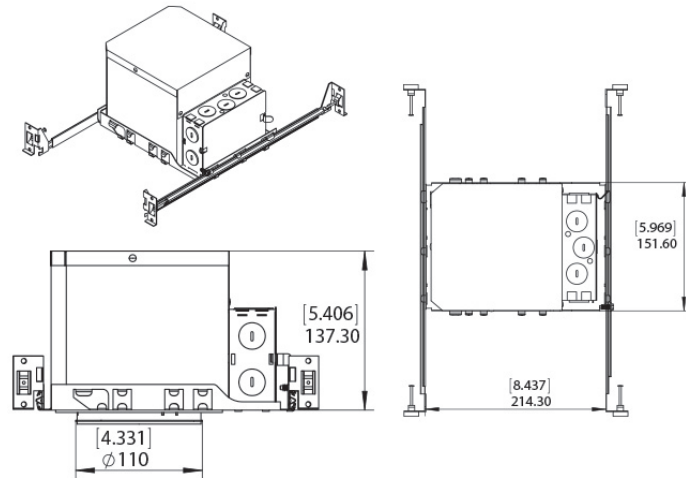
*** SPECIFICATIONS SUBJECT TO CHANGE WITHOUT NOTICE***

IC Series

4" IC Air-Tight New Work Housing



SPECIFICATIONS / DIMENSIONS



ORDERING INFORMATION

Sample Part Code: IC104AT

IC	104AT
SERIES	CONFIGURATION

IC [104AT] : 4" Air Tight New Work