

MODEL :		TYPE
PROJECT :		
PREPARED BY :	DATE :	

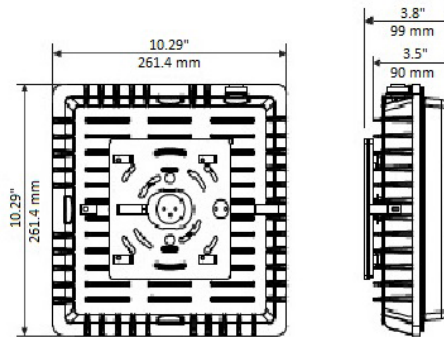
## SERIES SPECIFICATIONS

## MCLED SERIES

The architectural medium LED canopy has a low profile design with an integral heat sink for efficient LED performance. It is an excellent choice for lighting hallways and entrances, or any other application where a ceiling mount fixture is required. It is an excellent choice for public access areas because of its vandal resistant glare reducing polycarbonate lens.



## LINE DRAWING



## CONSTRUCTION

### Housing

Die cast aluminum housing with integral heat sink. 1/2" threaded coin plugs for conduit entry on 3 sides.

### Lens

Frosted impact resistant poly-carbonate diffuser

### Finish

Durable bronze powder coat finish.

## ELECTRICAL SPECIFICATIONS

Input Voltage  
120-277VAC

Input Current  
0.4798A

Input Power  
57.2W

Power Factor  
>.9

THD  
<15%

CRI  
>73

MODEL :		TYPE
PROJECT :		
PREPARED BY :	DATE :	

### ELECTRICAL SPECIFICATIONS CONT.

Frequency  
50/60Hz

Efficacy  
128+ lm/W

Color Temp  
5000K

Duv  
0.00312

Lumens  
7200+ Lumens

Distribution  
Type V

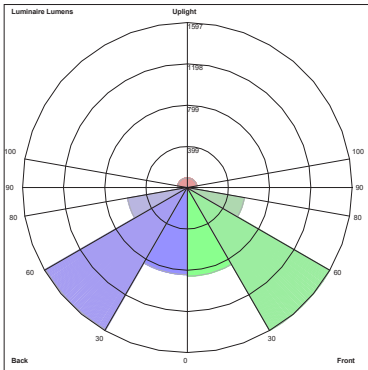
Life Span  
50000 Hrs

Min. Starting Temp  
-40°C

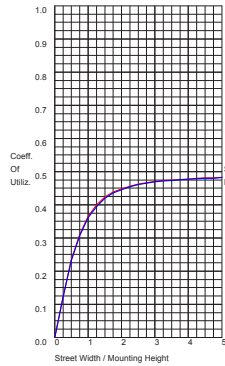
### Mounting

Quick mount back plate for easy surface or box mount installation, or 3/4" pendant mount (down rod provided by others).

### PERFORMANCE SPECIFICATIONS

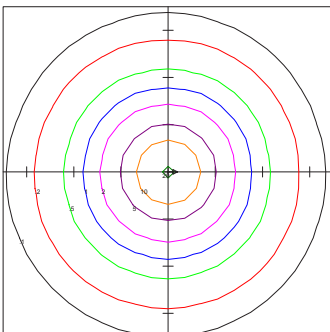


**BUG REPORT**  
 TAMLITE LIGHTING HID  
 MCLED605K  
 Luminaire Lumens:  
 Front:  
 Low=856.2, Medium=1597.1,  
 High=561.8, Very High=79.5  
 Back:  
 Low=840.9, Medium=1585.3,  
 High=586.8, Very High=89.8  
 Uplight:  
 Low=29.0, High=93.2  
 BUG Rating : B2-U3-G1

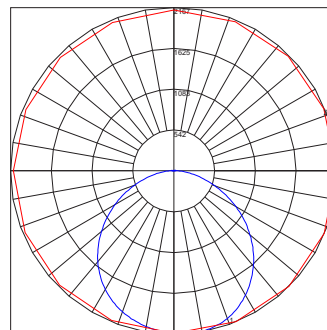


	LUMENS	PERCENT OF LAMP
DOWNWARD STREET SIDE	3094.6	49.0
DOWNWARD HOUSE SIDE	3102.8	49.1
DOWNWARD TOTAL	6197.4	98.1
UPWARD STREET SIDE	59.9	0.9
UPWARD HOUSE SIDE	62.3	1.0
UPWARD TOTAL	122.2	1.9
TOTAL FLUX	6319.6	100.0

### PHOTOMETRIC ISOLINES



TAMLITE LIGHTING HID  
 MCLED605K  
 Horizontal Footcandles  
 Light Loss Factor = 1.0  
 Lumens Per Lamp = N.A.  
 Lumens = 6319.4  
 Mounting Height = 10.0 Ft  
 Maximum Calculated Value = 21.56 Fc  
 Arrangement: Single



Polar Graph  
 Maximum Candela = 2166.88  
 Located at Horizontal Angle = 315  
 Vertical Angle = 6  
 Vertical Plane Through Horizontal  
 Angles  
 (315 - 135)  
 Horizontal Cone Through Vertical  
 Angle  
 (6)

MODEL :		TYPE
PROJECT :		
PREPARED BY :	DATE :	

### CERTIFICATIONS/WARRANTY

Listing  
UL Listed

DLC Listing  
Fixtures are DLC listed and featured of the Qualified Products List (QPL).\*

Location Rating:  
Suitable for wet locations

Warranty  
Guaranteed for five years from the purchase date of the product, against mechanical defects in manufacturing.

### ORDERING INFORMATION

Sample Part Number: MCLED605K

MCLED	60	5K
SERIES	WATTAGE	COLOR TEMP
MCLED	[60] : 60 Watts	[5K] : 5000K

### NOTES

\*Not all product variations meet Design Light Consortium Qualifications. Please verify that the product is listed on the DLC products list at [www.design-lightconsortium.org/QPL](http://www.design-lightconsortium.org/QPL).