

MODEL :		TYPE
PROJECT :		
PREPARED BY :	DATE :	

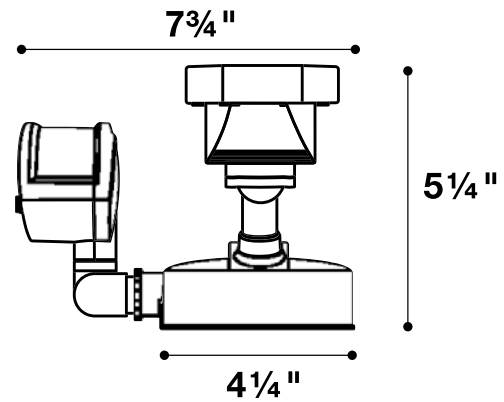
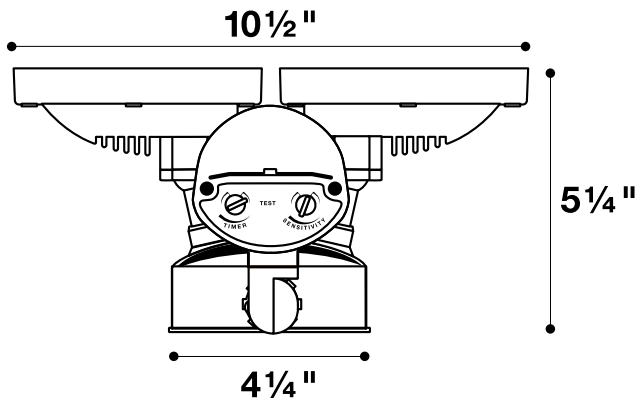
SERIES SPECIFICATIONS

MSLED2 SERIES

The MSLED2180 series combines energy efficient technology with reliability. Perfect for outdoor residential applications, the MSLED series offers over 2000 lumens of crisp LED light output and a 180 degree motion sensor at 60ft.



LINE DRAWING



CONSTRUCTION

Housing
Die Cast Aluminum

Paint
Textured Bronze

Lens Material
Polycarbonate

Diffuser Finish
Diamond Pattern

Motion Detection Range
180° PIR @ 60 Ft

Number of Heads
2

ELECTRICAL SPECIFICATIONS

Input Voltage
120 VAC

Input Wattage @ 120V
22.8W

Efficacy
89+ Lm/W

CRI
>70

Color Temp
5000K

Frequency
60 Hz

APPLICATION AND PERFORMANCE SPECIFICATION INFORMATION IS SUBJECT TO CHANGE WITHOUT NOTIFICATION

