



# TAMLITE LIGHTING

660 NW Peacock Blvd. Port St. Lucie, FL 34986  
 tel: (772) 878-4944 or on the web at [www.tamliteusa.com](http://www.tamliteusa.com)

## SPECIFICATION & FEATURES

Catalog #: Project:	01/06/2014
Project:	Type:
Prepared By:	

### DESCRIPTION

Die-cast aluminum housing and hinged front frame, corrosion resistant external stainless steel hardware, and architectural bronze powdercoat finish.

### REFLECTOR

Formed aluminum reflector.

### LENS

Tempered flat clear glass lens.

### DESCRIPTION

Porcelain 4KV pulse rated medium base socket with nickel-plated screw shell.

### MOUNTING

1/2" threaded adjustable knuckle (standard)  
 Optional adjustable 2-3/8" slipfitter for 2" tenon mounting.

### SOURCE/WATTAGE

High Pressure Sodium: 35W to 150W  
 Metal Halide: 50W to 150W

### LISTINGS/RATINGS/COMPLIANCE

CSA or UL Listed  
 Suitable for wet locations.

### WARRANTY

Guaranteed for one year against mechanical defects in manufacturing

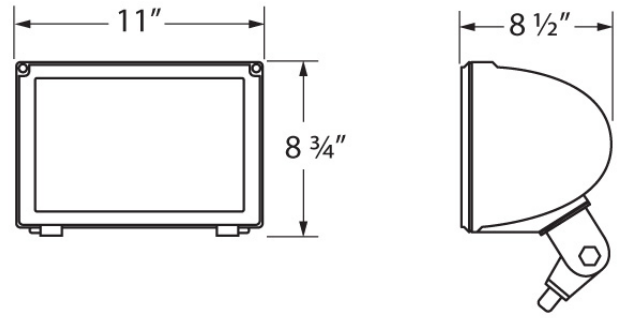
\*\*\* SPECIFICATIONS SUBJECT TO CHANGE WITHOUT NOTICE\*\*\*

# RBF Series

## Round Back Flood



### SPECIFICATIONS / DIMENSIONS



### ORDERING INFORMATION

Sample Part Code: RBFMHQ100L

RBF				L	
SERIES	SOURCE	VOLTAGE	LAMP WATTAGE	LAMPS INCLUDED	MOUNTING
RBF	[HP] : High Pressure Sodium [MH] : Metal Halide	[A] : 120 *HPS Only [E] : 480 *150W Only [Q] : 120,208,240,277	[35] : 35 Watt *120V HPS Only [50] : 50 Watt [70] : 70 Watt [100] : 100 Watt [150] : 150 Watt	[L] : Lamp Included	[Blank] : Knuckle [SW] : Slipfitter