



CONTRACTOR:	
PROJECT:	DATE:
PREPARED BY:	MODEL#:

SERIES SPECIFICATIONS



TAFML SERIES

The 15 watt LED array produces 900 lumens. The fixtures do not require additional insulation making installations quick and easy. The glass is a beautiful white alabaster finish. The TAFML415 is also dimmable.



CONSTRUCTION

Housing: Steel back pan

Weight: 3.4 lbs

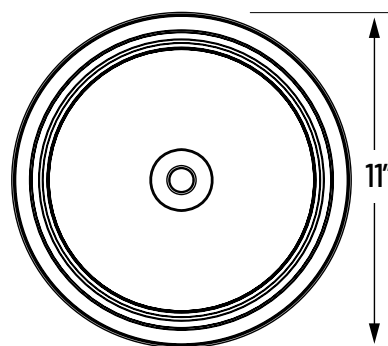
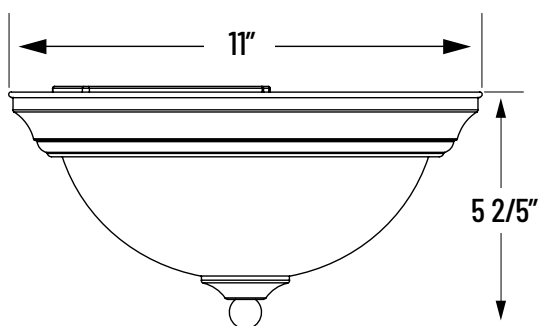
Lens Material: Glass

Paint: Powdercoat

LED Array: Surface mounted

Diffuser Finish: Alabaster

LINE DRAWING





CONTRACTOR:	
PROJECT:	DATE:
PREPARED BY:	MODEL#:

ORDERING INFORMATION

EXAMPLE: TAFML415

SERIES	COLOR TEMP	WATTAGE	FINISH
TAFML	[4] : 4000K	[15] : 15 Watts	[BZ] : Bronze Finish

TECHNICAL SPECS

Input Voltage	120 VAC
Input Wattage @ 120V	14.5W
Color Temperature	40000K
CRI	>80
Efficacy	100+ Lm/W
Power Factor	>.9
THD	< 20%
Viewing Angle	100°
LED Qty.	60
Starting Time	< 0.5 S
LED Power	Constant DC 35V
Lumens	900
Switching Cycle before Failure	>150,000
Lifespan	30,000 Hours
Dimmable	Yes*
IP Rating	IP20 Rated

NOTE: * For Dimming we Recommend the following Lutron dimmers S-603P, DVCL-153P, TGCL-153P