

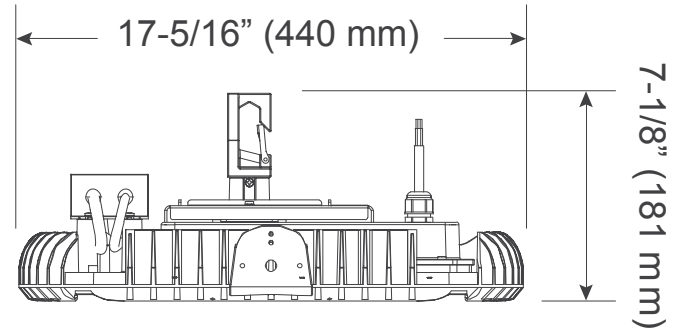
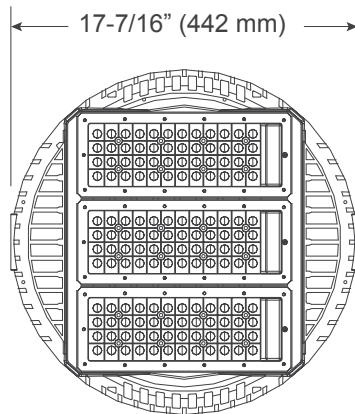
MODEL :		TYPE
PROJECT :		
PREPARED BY :	DATE :	

## SERIES SPECIFICATIONS

The TAMHBDB is designed for factory, warehouse, and general high bay applications. The TAMHBDB is easy to install, and can be used as a replacement for traditional metal halide fixtures. The die cast aluminum construction of the body, along with the low profile, lightweight design, provide ease of installation.



## LINE DRAWING



## CONSTRUCTION

Housing  
Die Cast Aluminum

Paint  
White Powder Coat

## ELECTRICAL SPECIFICATIONS

Input Voltage  
120-277 VAC

Color Temp  
5000K

CRI  
> 80

Frequency  
50-60Hz

Efficacy  
150+ LM/W

Power Factor  
≥ 0.90

Lens Angle  
100°

L70  
> 100,000 Hrs.

Lumens  
30000+ Lumens

Surge Protection  
10KV

Operating Temp.  
-40°C ~ +55°C

Dimming  
0-10V

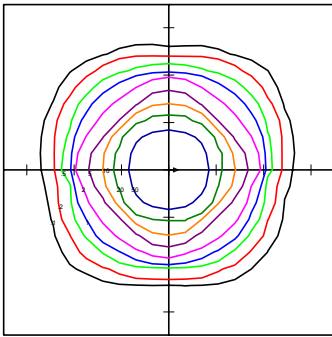
MODEL :		TYPE
PROJECT :		
PREPARED BY :	DATE :	

## PERFORMANCE SPECIFICATIONS

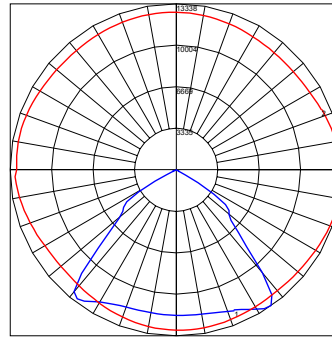
### ZONAL LUMEN SUMMARY

ZONE	LUMEN	LUMINAIRE %
0-30	10085.68	33.60%
0-40	17949.7	59.80%
0-60	28831.23	96.00%
60-80	1157.83	3.90%
0-80	29989.06	99.90%
90-120	0.00	0.00%
0-90	30020.91	100%
90-180	0.00	0.00%
0-180	30020.91	100.00%

## PHOTOMETRIC ISOLINES



TAMLITE LIGHTING HI-LUX  
 TAMHBDB-L5H00U  
 Horizontal Footcandles  
 Light Loss Factor = 1.00  
 Lumens Per Lamp = N.A.  
 Lumens = 30021  
 Mounting Height = 10.00 Ft  
 Arrangement: Single



Polar Graph  
 Maximum Candela = 13338.303  
 Located at Horizontal Angle = 352.5  
 Vertical Angle = 35  
 Vertical Plane Through Horizontal  
 Angles  
 (352.5-172.5)  
 Horizontal Cone Through Vertical  
 Angle  
 (35)

## CERTIFICATIONS/WARRANTY

Listing  
 UL Listed

DLC Listing  
 Fixtures are DLC listed and featured of the Qualified  
 Products List (QPL).\*\*

Location Rating:  
 Suitable for wet locations

IP Rating  
 IP66 Rated

Warranty  
 Guaranteed for five years from the purchase date of the product, against mechanical defects in manufacturing.

## ORDERING INFORMATION

Sample Part Number: TAMHBDB-L5H00U

Carton Dimensions: 126.365x41.593x13.97CM  
 49.75x16.375x5.5IN

Pallet Quantity: 30 PCS

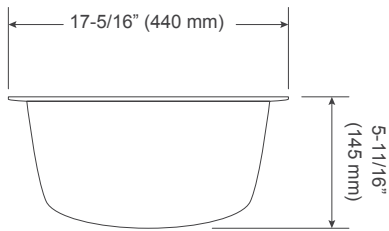
MODEL :		TYPE
PROJECT :		
PREPARED BY :	DATE :	

## ORDERING INFORMATION (Cont.)

TAMHBD	B	-L	5	H0	0	U
SERIES	MOUNTING	WATTAGE	COLOR TEMP.	DISTRIBUTION	DIMMING	VOLTAGE
TAMHBD	[B] : Hook Mount	[-L] : 200 Watt	[5] : 5000K	[H0] : 100° Symetric	[0] : 0-10V Dimming	[U] : 120-277V

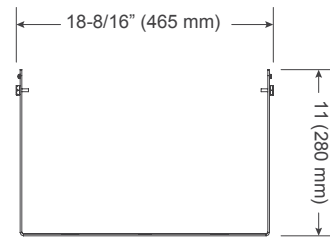
## ACCESSORIES

TAMHBD-MA01001A



Reflector/Lens

TAMHBD-MA01002A



Wall Mount Bracket

## NOTES

Photometric Data based on 80 CRI 5000K

\*\*Not all product variations meet Design Light Consortium Qualifications. Please verify that the product is listed on the DLC products list at [www.designlightconsortium.org/QPL](http://www.designlightconsortium.org/QPL).