

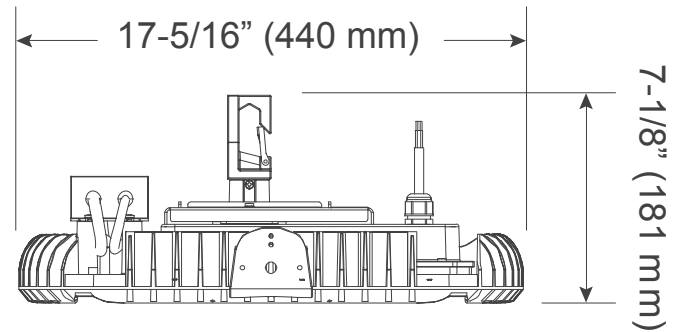
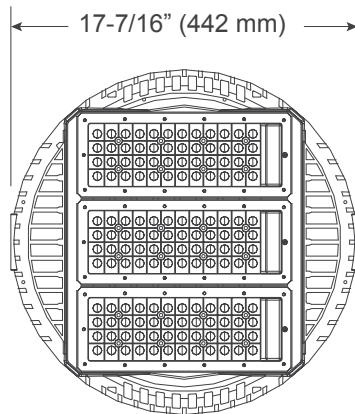
MODEL :		TYPE
PROJECT :		
PREPARED BY :	DATE :	

SERIES SPECIFICATIONS

The TAMHBDB is designed for factory, warehouse, and general high bay applications. The TAMHBDB is easy to install, and can be used as a replacement for traditional metal halide fixtures. The die cast aluminum construction of the body, along with the low profile, lightweight design, provide ease of installation.



LINE DRAWING



CONSTRUCTION

Housing
Die Cast Aluminum

Paint
White Powder Coat

ELECTRICAL SPECIFICATIONS

Input Voltage
120-277 VAC

Color Temp
5000K

CRI
> 80

Frequency
50-60Hz

Efficacy
150+ LM/W

Power Factor
≥ 0.90

Lens Angle
100°

L70
> 100,000 Hrs.

Lumens
26000+ Lumens

Surge Protection
10KV

Operating Temp.
-40°C ~ +55°C

Dimming
0-10V

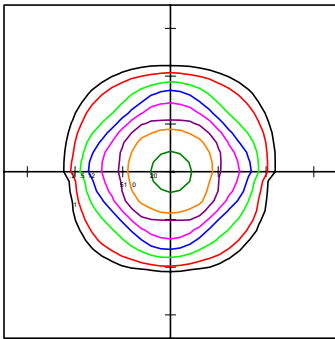
MODEL :		TYPE
PROJECT :		
PREPARED BY :	DATE :	

PERFORMANCE SPECIFICATIONS

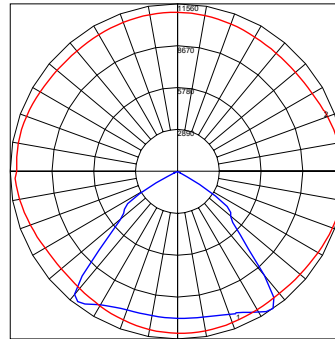
ZONAL LUMEN SUMMARY

ZONE	LUMEN	LUMINAIRE %
0-30	8740.93	33.60%
0-40	15556.41	59.80%
0-60	24987.07	96.00%
60-80	1003.45	3.90%
0-80	25990.52	99.90%
90-120	0.00	0.00%
0-90	26018.12	100%
90-180	0.00	0.00%
0-180	26018.12	100.00%

PHOTOMETRIC ISOLINES



TAMLITE LIGHTING HI-LUX
 TAMHBDB-H5H00U
 Horizontal Footcandles
 Light Loss Factor = 1.00
 Lumens Per Lamp = N.A.
 Lumens = 26018
 Mounting Height = 20.00 Ft
 Arrangement: Single



Polar Graph
 Maximum Candela = 11559.862
 Located at Horizontal Angle = 352.5
 Vertical Angle = 35
 Vertical Plane Through Horizontal
 Angles
 (352.5-172.5)
 Horizontal Cone Through Vertical
 Angle
 (35)

CERTIFICATIONS/WARRANTY

Listing
 UL Listed

DLC Listing
 Fixtures are DLC listed and featured of the Qualified
 Products List (QPL).**

Location Rating:
 Suitable for wet locations

IP Rating
 IP66 Rated

Warranty
 Guaranteed for five years from the purchase date of the product, against mechanical defects in manufacturing.

ORDERING INFORMATION

Sample Part Number: TAMHBDB-H5H00U

Carton Dimensions: 126.365x41.593x13.97CM
 49.75x16.375x5.5IN

Pallet Quantity: 30 PCS

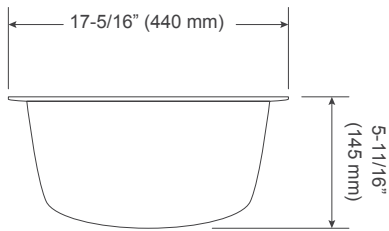
MODEL :		TYPE
PROJECT :		
PREPARED BY :	DATE :	

ORDERING INFORMATION (Cont.)

TAMHBD	B	-H	5	H0	0	U
SERIES	MOUNTING	WATTAGE	COLOR TEMP.	DISTRIBUTION	DIMMING	VOLTAGE
TAMHBD	[B] : Hook Mount	[-H] : 170 Watt	[5] : 5000K	[H0] : 100° Symetric	[0] : 0-10V Dimming	[U] : 120-277V

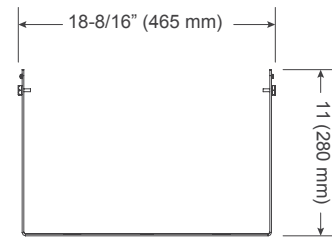
ACCESSORIES

TAMHBD-MA01001A



Reflector/Lens

TAMHBD-MA01002A



Wall Mount Bracket

NOTES

Photometric Data based on 80 CRI 5000K

**Not all product variations meet Design Light Consortium Qualifications. Please verify that the product is listed on the DLC products list at www.designlightconsortium.org/QPL.