

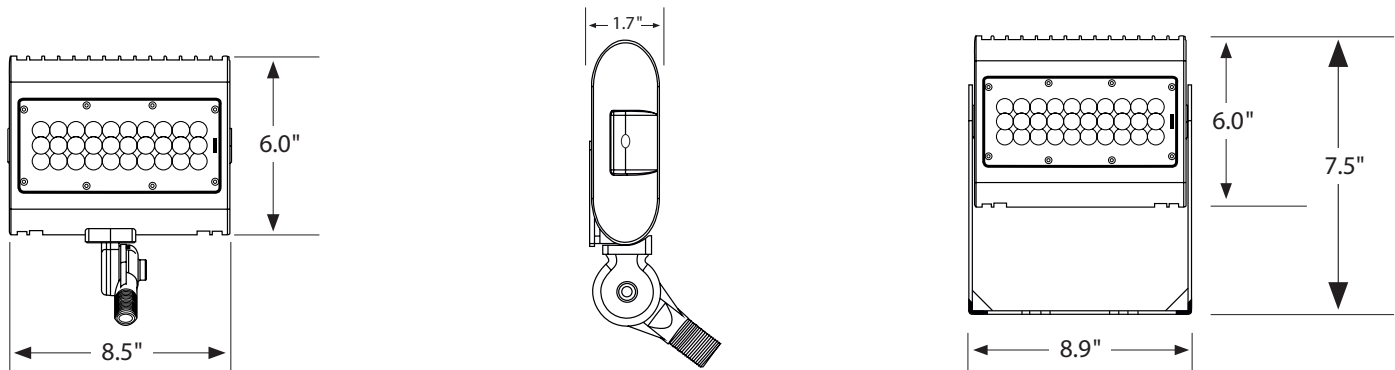
MODEL :		TYPE
PROJECT :		
PREPARED BY :	DATE :	

## SERIES SPECIFICATIONS

The TATFLL floodlight is a versatile unit with multiple mounting options that satisfy many of your lighting applications. The TATFLL can be adjusted to almost any position to direct the light where needed.



## LINE DRAWING



## CONSTRUCTION

### Housing

Die cast aluminum housing, with a finned heat sink designed to dissipate heat efficiently.

### Finish

Durable bronze powder coat paint.

### Thermal Management

Raised stand-offs provide even heat dissipation; requires no additional heat sinking

### Ambient Temperature

-35°C (-31°F) -50°C (122°F)

## PHYSICAL SPECIFICATIONS

Color  
Bronze

Lens Type  
Clear Pattern

Lens Material  
Polycarbonate Lens

MODEL :		TYPE
PROJECT :		
PREPARED BY :	DATE :	

## ELECTRICAL SPECIFICATIONS

Input Voltage  
100-277VAC

Efficacy  
102.1 LM/W

LED Efficacy  
120 LM/W

Frequency  
50/60Hz

CRI  
> 80

Color Temp  
5000K

Input Current  
0.6A MAX

Beam Angle  
100.6°

LED Lifespan  
50,000 HRS

Input Wattage  
48.1W

Output Voltage  
40-66V DC

Operating Temp  
-20°C- +40°C

Power Factor  
≥ 0.90

Output Current  
0.75A

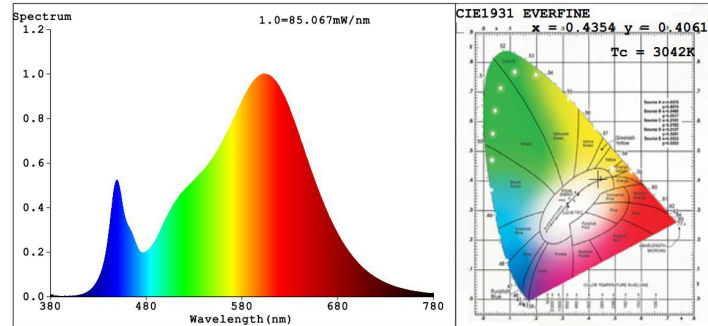
Grounding Resistance  
<=0.5Ω, OK

Lumens  
4905 LUMENS

Driver Efficiency  
88%

## PERFORMANCE SPECIFICATIONS

SPECTRAL POWER DISTRIBUTION & CHROMATICITY DIAGRAM



LUMENS PER ZONE

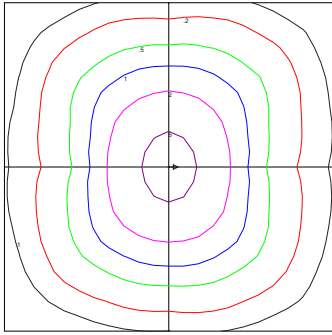
ZONE	LUMEN	TOTAL %	ZONE	LUMENS	TOTAL %
0-10	167.6	3.4%	90-100	1.2	0%
10-20	450.2	9.2%	100-110	0.2	0%
20-30	660.7	13.5%	110-120	0.7	0%
30-40	856.7	17.5%	120-130	0.9	0%
40-50	951.1	19.4%	130-140	1.1	0%
50-60	881.2	18.0%	140-150	1.0	0%
60-70	565.2	11.5%	150-160	0.9	0%
70-80	267.1	5.4%	160-170	0.6	0%
80-90	99.4	2.0%	170-180	0.2	0%

ZONAL LUMEN SUMMARY

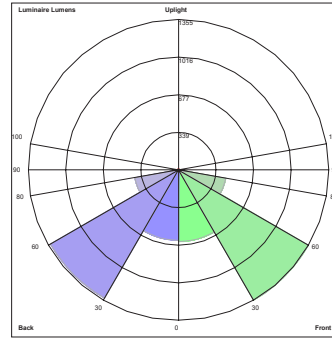
ZONE	LUMEN	LAMP %	LUMINAIRE %
0-30	1,278.6	26.1%	26.1%
0-40	2,135.3	43.5%	43.5%
0-60	3,967.5	80.9%	80.9%
60-90	931.6	19%	19%
70-100	367.7	7.5%	7.5%
90-120	2.1	0%	0%
0-90	4,899.2	99.9%	99.9%
90-180	6.8	0.1%	0.1%
0-180	4,905.9	100%	100%

MODEL :		TYPE
PROJECT :		
PREPARED BY :	DATE :	

### PHOTOMETRIC ISOLINES



TAMLITE LIGHTING AMENITY  
 TATFLL5050BZ  
 Horizontal Footcandles  
 Scale: 1 Inch = 10 Ft.  
 Light Loss Factor = 1.00  
 Lumens Per Lamp = 4906.5  
 Total Lamp Lumens = 4906.5  
 Mounting Height = 15.00 Ft  
 Maximum Calculated Value = 7.98 Fc  
 Arrangement: Single



LUMINAIRE LUMENS:  
 TATFLL5050BZ  
 Front:Low=645.8,Medium=1354.5,  
 High=432.6,Very High=53.3  
 Back:Low=632.8,Medium=1334.9,  
 High=399.6,Very High=46.1  
 Uplight: Low=1.2, High=5.6

Bug Rating: B2-U1-G1

### CERTIFICATIONS/WARRANTY

Listing  
 UL Listed

Location Rating:  
 Suitable for wet locations

Warranty  
 Guaranteed for five years from the purchase date of the product, against mechanical defects in manufacturing.

DLC Listing  
 This product is on the Design Lights Consortium (DLC) Qualified Products List and is eligible for rebates from DLC Member Utilities.

Qualifications  
 IP65 Rated

### ORDERING INFORMATION

Part Number: TATFLL5050

Carton Dimensions: (YOKE) 9.6" X 9.4" X 2.3"  
 (KNUCKLE) 9.0" X 10.2" X 2.3"

Case Dimensions: (YOKE) 14.9" X 10.2" X 10.2"  
 (KNUCKLE) 14.7" X 9.6" X 11.0"

Case Quantity: 6 PCS

TATFLL		50		
SERIES	COLOR TEMP	LAMP WATTAGE	FINISH	MOUNTING
TATFLL	[50] 5000K	[50]: 50 WATTS	[BZ]: BRONZE	[BLANK]: YOKE MOUNT
			[WH]: WHITE	[K]: 1/2" KNUCKLE MOUNT

### NOTES

\*Not all product variations meet Design Light Consortium Qualifications. Please verify that the product is listed on the DLC products lists at [www.design-lightconsortium.org/QPL](http://www.design-lightconsortium.org/QPL)