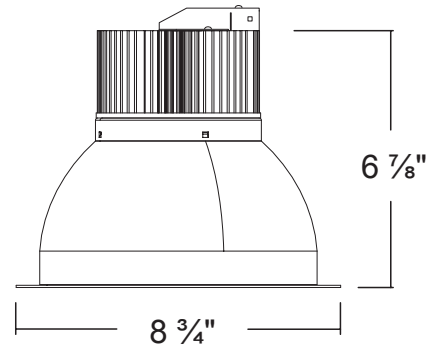
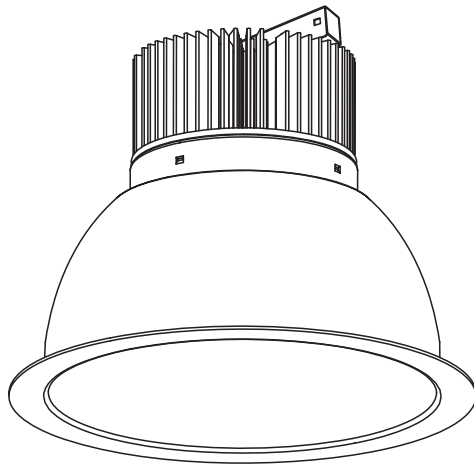


HOUSING MODEL :		TYPE
TRIM MODEL :		
PROJECT :		
PREPARED BY :	DATE :	

SERIES SPECIFICATIONS
TLD8TR SERIES

The TLD8 series are high grade LED high lumen down lights with a deep cone reflector that is designed for commercial lighting. These 8-inch, LED down lights are loaded with innovative features and options.


LINE DRAWING

CONSTRUCTION

Material
Aluminum

Flange
Self-flanged

Heat Sink
Diecast aluminum

Finish
Haze

ELECTRICAL

Input Wattage
53.76w

Color Temp.
3000K/4000K

HOUSING MODEL :		TYPE
TRIM MODEL :		
PROJECT :		
PREPARED BY :	DATE :	

ELECTRICAL (Cont.)

CRI 90	Lumens 4528
Efficiency 84 lm/W	Dimming Type 0-10V
Dimming Range 10-100%	Operating Temp. -30°C ~ 40°C
Frequency 50/60Hz	

CERTIFICATIONS/WARRANTY

Listing UL Listed	Location Rating: Suitable for damp locations
-----------------------------	--

Title 24
Title 24 compliant

Warranty
Guaranteed for three years from the purchase date of the product, against mechanical defects in manufacturing.

ORDERING INFORMATION

Sample Part Number: TLD8TR5230K-HZ

TLD8TR	52		-HZ
SERIES	WATTAGE*	COLOR TEMP	OPTIONS
TLD8TR	[52] : 52 Watts	[30K] : 3000K	[-HZ] : Haze
		[40K] : 4000K	

NOTES

Housing and Trim must both be purchased in order to complete the lighting fixture.
 *Housing and Trim wattages must match.