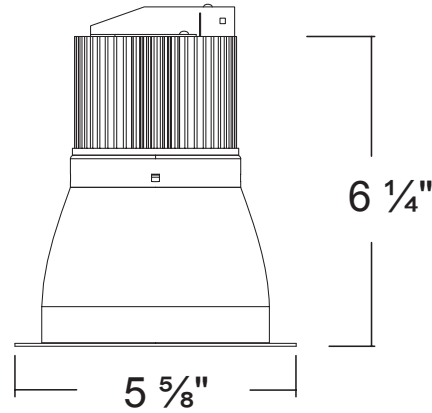
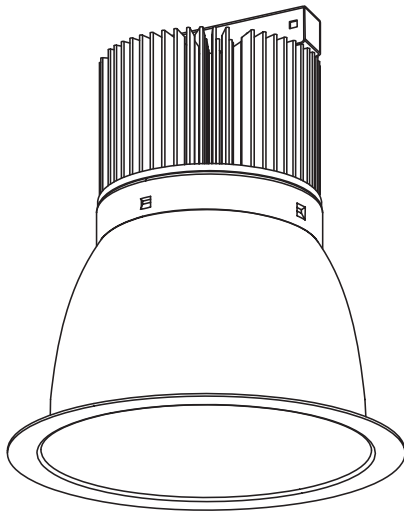


HOUSING MODEL :		TYPE
TRIM MODEL :		
PROJECT :		
PREPARED BY :	DATE :	

**SERIES SPECIFICATIONS**
**TLD4TR SERIES**

The TLD4 series are high grade LED high lumen down lights with a deep cone reflector that is designed for commercial lighting. These 4-inch, LED down lights are loaded with innovative features and options.


**LINE DRAWING**

**CONSTRUCTION**

**Material**  
Aluminum

**Flange**  
Self-flanged

**Heat Sink**  
Diecast aluminum

**Finish**  
Haze

**ELECTRICAL**

**Input Wattage**  
22.98W

**Color Temp.**  
3000K/4000K

HOUSING MODEL :		TYPE
TRIM MODEL :		
PROJECT :		
PREPARED BY :	DATE :	

## ELECTRICAL (Cont.)

<b>CRI</b> 90	<b>Lumens</b> 1587
<b>Efficiency</b> 69 lm/W	<b>Dimming Type</b> 0-10V
<b>Dimming Range</b> 10-100%	<b>Operating Temp.</b> -30°C ~ 40°C
<b>Frequency</b> 50/60Hz	

## CERTIFICATIONS/WARRANTY

<b>Listing</b> UL Listed	<b>Location Rating:</b> Suitable for damp locations
-----------------------------	--

**Title 24**  
Title 24 compliant

**Warranty**  
Guaranteed for three years from the purchase date of the product, against mechanical defects in manufacturing.

## ORDERING INFORMATION

**Sample Part Number:** TLD4TR2130K-HZ

TLD4TR	21		-HZ
SERIES	WATTAGE*	COLOR TEMP	OPTIONS
TLD4TR	[21] : 21 Watts	[30K] : 3000K	[-HZ] : Haze
		[40K] : 4000K	

## NOTES

Housing and Trim must both be purchased in order to complete the lighting fixture.  
 \*Housing and Trim wattages must match.