



MODEL:		TYPE
PROJECT:		
PREPARED BY:	DATE:	



TLP24 SERIES

The TLP series edge-lit LED flat panels are a great energy saving long life lighting solution.



FEATURES AND SPECIFICATIONS

INTENDED USE:

The low profile modern design makes it ideal for use in airport, retail, education and commercial office buildings.

CONSTRUCTION:

Strong and firm aluminum alloy extruded frame.
Finish: White.

OPTICS:

PMMA light guide plate with perfect laser screening and light distribution technology. TLP24 series flat panels have a beam angle of 120°.

ELECTRICAL:

70% lumen maintenance at >50,000 hours. Long-life LEDs PCB mounted, coupled with high-efficiency drivers, provide extended service life. The TLP24 delivers up to 101 lumens per watt. Driver disconnect is provided where required to comply with U.S. and Canadian codes. Thermally protected driver standard.

DIMMING:

LED drivers deliver dimming from a 0-10V control signal. Dims to 10% standard.

INSTALLATION:

This fixture may be suspended or recessed mounted. This fixture has knockouts for easy installation.

LISTINGS:

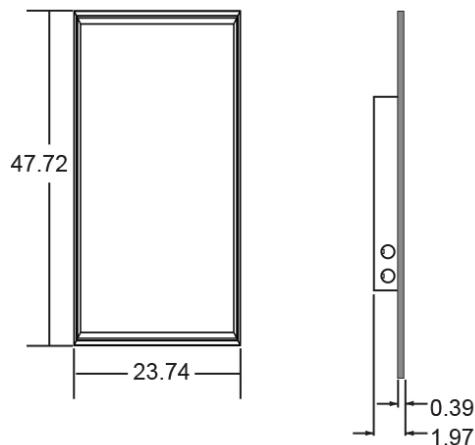
UL listed to US and Canadian safety standards. Damp location listed. For use in ambient operating temperatures ranging from -30°C to 50°C. NSF certified for Splash Zone and Non-Food Zone. DesignLights Consortium® (DLC) qualified product. Not all versions of this product may be DLC qualified. Please check the DLC Qualified Products List at www.designlights.org/QPL to confirm which versions are qualified.

WARRANTY:

5-year limited warranty. Complete warranty terms located at:
www.tamliteusa.com/CustomerResources/Terms_and_conditions.asp

NOTE: Actual performance may differ as a result of end-user environment and application. All values are design or typical values, measured under laboratory conditions at 25 °C. Specifications subject to change without notice.

LINE DRAWING



ORDERING INFORMATION

TLP	24	-50		01	-DIM2	40	B5
SERIES	SIZE	WATTAGE	COLOR TEMP	VOLTAAGE	DIMMING	TRIM COLOR	EMERGENCY
TLP	[24] : 2' x 4'	[-50] : 50 Watts	[35] : 3500K [40] : 4000K [50] : 5000K	[D] : 120-277V	[-DIM2] : Dimming Option	[-W] : White Trim	[Blank] : No Options [B5] : 500 Lum Backup [B10] : 1000 Lum Backup [B15] : 1500 Lum Backup

PERFORMANCE SPECIFICATIONS

SERIES	LUMENS	LPW	POWER FACTOR	Ra	MAX WATTAGE
TLP24-50	5000K	100	>0.9	>80	50

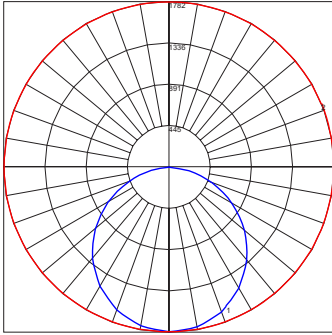
GENERAL DRIVER INFORMATION	
Type	Constant Current, Class P
ELECTRICAL SPECIFICATIONS	
50W	
Input	
Input Voltage (VAC)	120V-277V (+/- 10%)
Frequency Range (Hz)	50-60 Hz (+/- 5%)
Max. Input Current Max (A) Per Driver	0.9A
THD @ Full Load	<20%
Efficiency @ Full Load	>85%
Inrush Current (Apk, T@50% of Apk) Per Driver	I < 60A / 350uS @ 230Vac
Power Factor @ Full Load	>0.9
Output	
Output Voltage (VDC)	25-42VDC
Output Current (mA) Per Driver	1050mA
Output Ripple Current	<1V
Max. Output power (W) Per Driver	50W
Dimming Control 0-10v	10%
LED Power Up Time	<1sec
Load Regulation	±5%
Line Regulation	±5%
No Load Protection	Max. output voltage (no-load voltage) 55V
Output Short-Circuit Protection	Hiccup mode (auto-recovery)

ENVIRONMENTAL SPECIFICATIONS	50W
Ambient Range	-30°C - +50°C
Max. Storage Temp.	-40°C ~ +80°C (6 months under the class I environment)
Max. Relative Humidity	90% non-condensing
EMI Compliance	Comply with EN55015, EN61000-3-2, FCC Part 15
Sound Rating	Class P

PHOTOMETRIC REPORTS

POLAR GRAPH

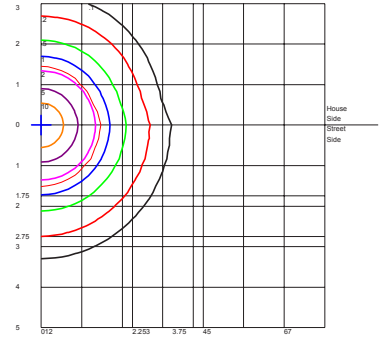
IES ROAD REPORT
PHOTOMETRIC FILENAME : TLP24-6040D-DIM2-WJES
POLAR GRAPH



Maximum Candela = 1781.82 Located At Horizontal Angle = 360, Vertical Angle = 0
1 - Vertical Plane Through Horizontal Angles (360 - 180) (Through Max. Cd.)
2 - Horizontal Cone Through Vertical Angle (0) (Through Max. Cd.)

ISOCANDELA PLOT

IES ROAD REPORT
PHOTOMETRIC FILENAME : TLP24-6040D-DIM2-WJES
ISOCANDELA PLOT



Distance In Units Of Mounting Height
Values Based On 10 Foot Mounting Height
1/2 Maximum Candela Trace Shown As Dashed Curve
1/4 Maximum Candela Point

ACCESSORIES

MECHANICAL

SURFACE MOUNT

SURFACE MOUNT KIT (TLPSM-24-KIT)

MATERIAL: 24 gauge hot dipped galvanized steel.

FINISH: Powder Coat paint after fabrication of the galvanized bracket also means that this fixture is highly resistant to rust over its lifetime. **SOLD SEPARATELY.**

