

MODEL :		TYPE
PROJECT :		
PREPARED BY :	DATE :	

INSTALLATION INSTRUCTIONS

WARNING

READ PRIOR TO INSTALLATION.

INSTALLATION SHOULD BE CARRIED OUT BY A CERTIFIED ELECTRICIAN. INSTALLATION SHOULD BE COMPLETED BY AN INDIVIDUAL FAMILIAR WITH THE CONSTRUCTION AND OPERATION OF THE LUMINAIRE. INSTALLATION OF LUMINAIRE MUST BE IN ACCORDANCE WITH NATIONAL AND LOCAL BUILDING AND ELECTRICAL CODES.

- Always turn off power prior to installation, replacement, or maintenance.
- RISK OF FIRE OR ELECTRIC SHOCK.
- To prevent wiring damage or abrasion, do not expose wiring edges to sheet metal or other sharp objects.
- Do not press directly on the lens, as it may cause damage.
- Luminaire must be supplied by a wiring system with an equipment grounding conductor
- Protect all wiring connections with approved insulators (not supplied).
- Do not use if there is any damage to the light or wire insulation. Inspect periodically.
- Make sure lens and housing are cool when performing maintenance.
- Make sure the wire supply voltage is the same as the luminaire supply.
- Use proper supply wiring as specified on the luminaire label.
- Avoid use in environments containing sulfur, chlorine, or other halides, methyl acetate or ethyl acetate, cyanoacrylates, glycol ethers, formaldehyde or butadiene.

Notes

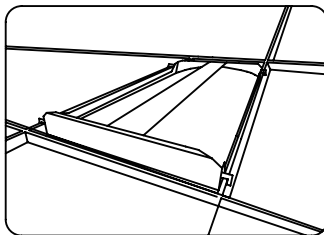
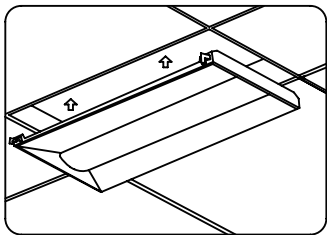
- Instructions do not cover all details and all possible product configurations.
- Do not restrict luminaire ventilation.
- Ensure LED luminaire is not covered with material that will prevent convection or conduction cooling.
- Colour temperature can be changed with a switch in the back of fixture. The defaults switch setting is set to 4000K on the fixture.
Other colour temperature 35K or 50K please do the switch before installation.
- Ensure LED luminaire has the correct polarity before installation.

Maintenance

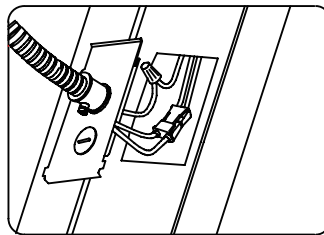
Perform visual, electrical, and mechanical inspections on a regular basis. The environment and frequency of use should determine this. However, it is recommended that checks be made at least once a year. Electrically check to make sure that all connections are clean and tight. Mechanically check that all parts are properly assembled.

INSTALLATION INSTRUCTIONS

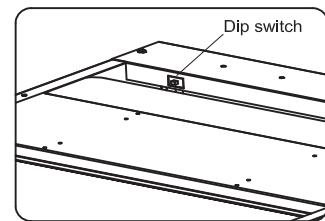
Installation



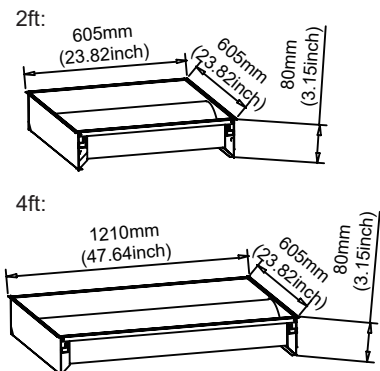
Electrical Connection



Dip switch for CCT(35/40/5000K)



Dimension



Wiring Diagram

