

MODEL :		TYPE
PROJECT :		
PREPARED BY :	DATE :	

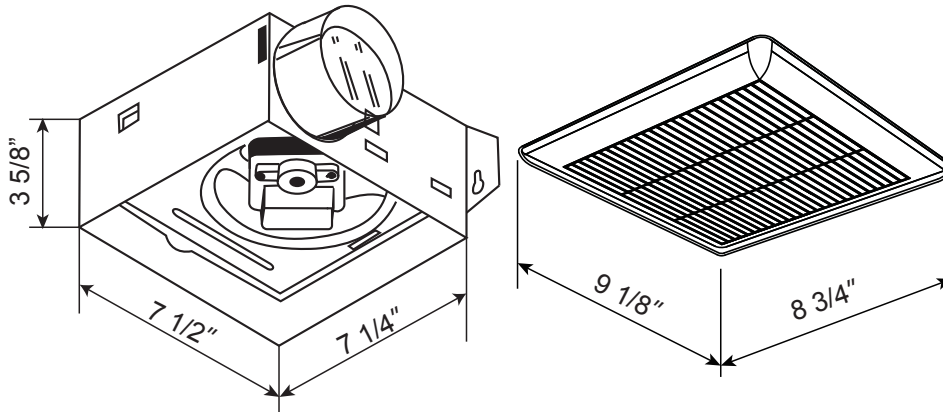
SERIES SPECIFICATIONS

ABF SERIES

The ABF series bath fans are ultra quiet, high performance, bath fans designed to exhaust air quietly and efficiently.



LINE DRAWING



CONSTRUCTION

Housing Material
26GA galvanized steel

Motor Type
Centrifugal type blower wheel

Duct Diameter
3"

Blower Wheel
Centrifugal type

Collar
Detachable 3" polymeric collar included

Grill Material
Polymeric resin

Grill Mounting
Torsion spring clips

Overload Protection
Built-in overload disconnect

ELECTRICAL SPECIFICATIONS

Input Voltage
120 VAC

Frequency
60 Hz

Fan Wattage
38W



APPLICATION AND PERFORMANCE SPECIFICATION INFORMATION IS SUBJECT TO CHANGE WITHOUT NOTIFICATION

660 NW PEACOCK BLVD. | PORT ST. LUCIE, FL 34986 | TEL: 772.879.0178 | TAMLITEUSA.COM

MODEL :		TYPE
PROJECT :		
PREPARED BY :	DATE :	

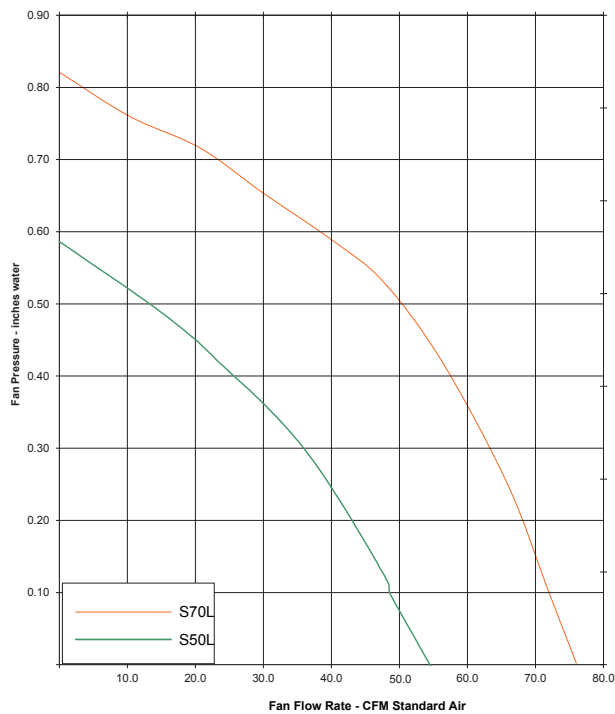
ELECTRICAL SPECIFICATIONS CONT.

Static Pressure Min.
0.1

Air Volume (CFM) Min.
50

Sones
3.4

PERFORMANCE SPECIFICATIONS



CERTIFICATIONS/WARRANTY

Listing
ETL Listed

Location Rating:
Suitable for Damp locations

Warranty

Guaranteed for one year from the purchase date of the product, against mechanical defects in manufacturing.





MODEL :		TYPE
PROJECT :		
PREPARED BY :	DATE :	

ORDERING INFORMATION

Part Number: ABF50

ABF	50	
SERIES	CFM	OPTIONS
ABF	[50] : 50 CFM	

NOTES

It shall be ducted to a roof vent or wall cap using a 3 inch round pipe

