

MODEL :		TYPE
PROJECT :		
PREPARED BY :	DATE :	

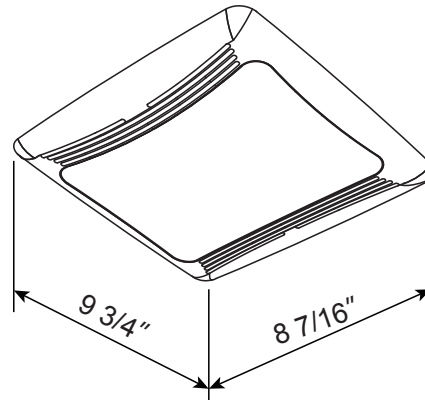
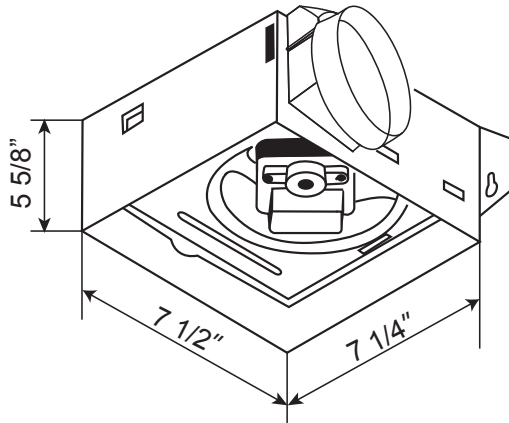
## SERIES SPECIFICATIONS

ABF SERIES

The ABF series bath fans are high performance, bath fans designed to exhaust air quietly and efficiently.



## LINE DRAWING



## CONSTRUCTION

**Housing Material**  
26GA galvanized steel

**Motor Type**  
Centrifugal type blower wheel

**Duct Diameter**  
4"

**Blower Wheel**  
Centrifugal type

**Collar**  
Detachable 4" polymeric collar included

**Grill Material**  
Polymeric resin

**Grill Mounting**  
Torsion spring clips

**Overload Protection**  
Built-in overload disconnect

## ELECTRICAL SPECIFICATIONS

**Input Voltage**  
120 VAC

**Frequency**  
60 Hz

**Fan Wattage**  
60W



APPLICATION AND PERFORMANCE SPECIFICATION INFORMATION IS SUBJECT TO CHANGE WITHOUT NOTIFICATION

660 NW PEACOCK BLVD. | PORT ST. LUCIE, FL 34986 | TEL: 772.879.0178 | TAMLITEUSA.COM



MODEL :		TYPE
PROJECT :		
PREPARED BY :	DATE :	

**ELECTRICAL SPECIFICATIONS CONT.**

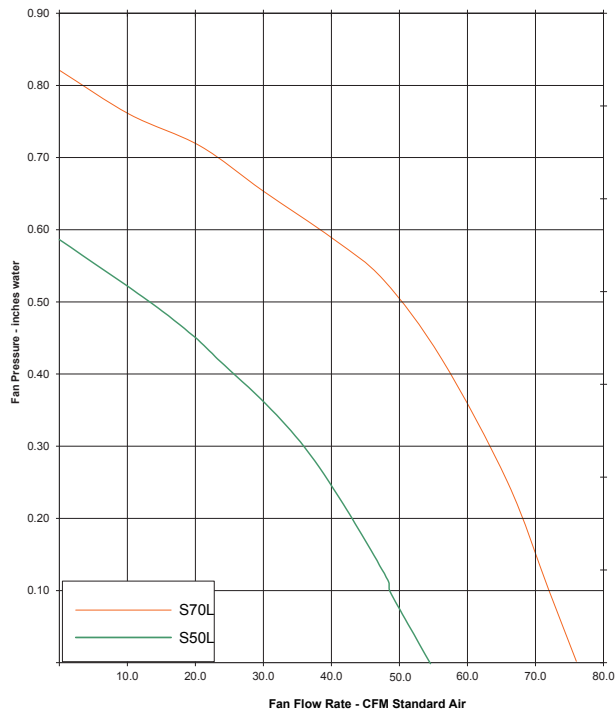
Static Pressure Min.  
0.1

Air Volume (CFM) Min.  
70

Sones  
3.5

Max. Lamp Wattage  
26W CFL

**PERFORMANCE SPECIFICATIONS**



**CERTIFICATIONS/WARRANTY**

Listing  
ETL Listed

Location Rating:  
Suitable for Damp locations

**Warranty**

Guaranteed for one year from the purchase date of the product, against mechanical defects in manufacturing.





MODEL :		TYPE
PROJECT :		
PREPARED BY :	DATE :	

ORDERING INFORMATION

Part Number: ABF70L

ABF	70	L
SERIES	CFM	OPTIONS
ABF	[70] : 70 CFM	[L] : Light

