



CONTRACTOR:	
PROJECT:	DATE:
PREPARED BY:	MODEL#:

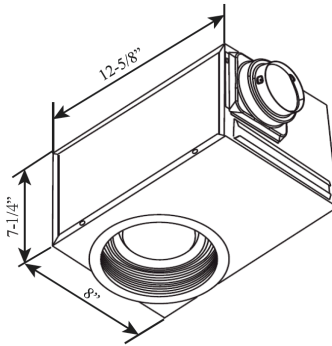
DESCRIPTION

ABF80R

The ABF series bath fans are high performance, bath fans designed to exhaust air quietly and efficiently.



LINE DRAWING



CONSTRUCTION

Housing Material
26GA galvanized steel

Blower Wheel
Centrifugal type

Grill Mounting
Torsion spring clips

Motor Type
Centrifugal type blower wheel

Collar
4" & 5" duct adapter included

Overload Protection
Built-in overload disconnect

Duct Diameter
4" & 5"

Grill Material
Polymeric resin 6" Trim

ELECTRICAL SPECIFICATIONS

Input Voltage
120VAC

Air volume (CFM) Max.
63

Max Lamp Wattage
26W CFL

Frequency
60 Hz

Static Pressure Max.
0.25

Fan Wattage
28W

Sones
1.2

Static Pressure Min.
0.1

Air Volume (CFM) Min.
80

APPLICATION AND PERFORMANCE SPECIFICATION IS SUBJECT TO CHANGE WITHOUT NOTIFICATION



CONTRACTOR:	
PROJECT:	DATE:
PREPARED BY:	MODEL#:

CERTIFICATIONS AND WARRANTY

Warranty

Guaranteed for one year from the purchase date of the product, against mechanical defects in manufacturing.

Location Rating

Suitable for Damp locations

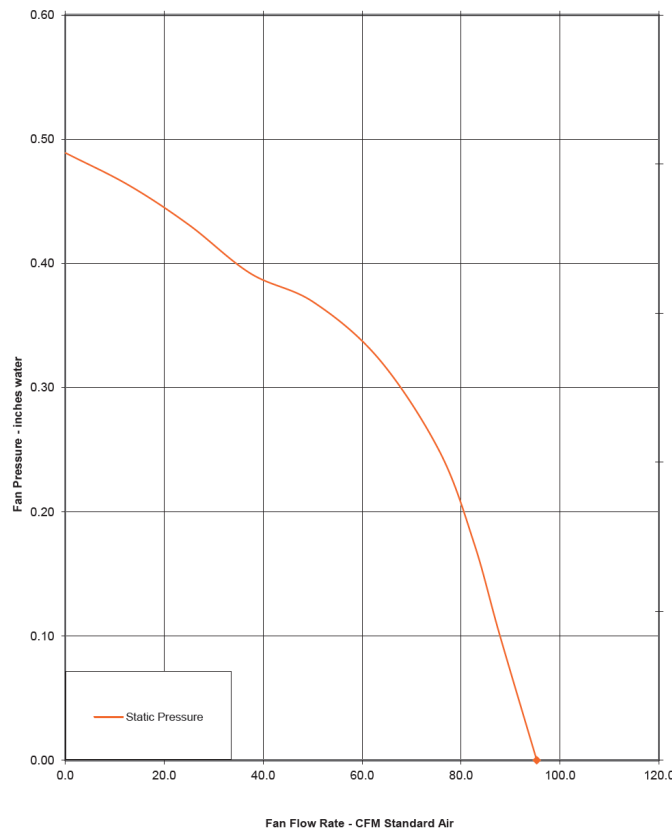
Listing

ETL Listed

IC Rating

Rated for insulation contact

PERFORMANCE SPECIFICATIONS



ORDERING INFORMATION

Example: ABF80R

SERIES	CFM	OPTION
ABF	[80] : 80 CFM	[R] : Recessed

APPLICATION AND PERFORMANCE SPECIFICATION IS SUBJECT TO CHANGE WITHOUT NOTIFICATION