



CONTRACTOR:	
PROJECT:	DATE:
PREPARED BY:	MODEL#:

DESCRIPTION



ALPSLED Series

Low profile die cast aluminum housing with integral heat sink and durable bronze powdercoat finish. Driver compartment has a hinged door with gasket. Corrosion resistant exterior stainless steel screws.



FEATURES & SPECIFICATIONS

Construction

Die cast aluminum back housing with integral heat sink.

Finish

Powdercoat finish.

Lens

Polycarbonate

Dimmer

Electronic Dimmable Driver.

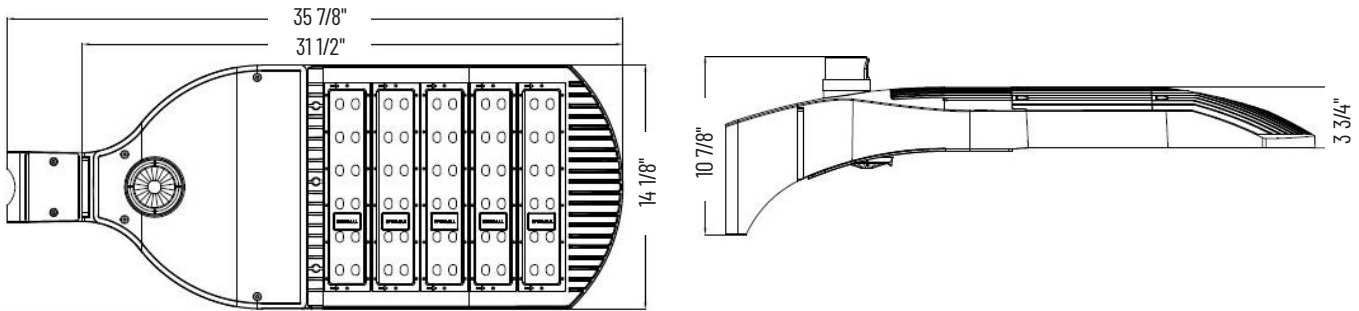
Driver Compartment

Hinged door with gasket.

Photocell Capability

7 pin photocell socket with shorting cap.

LINE DRAWING



ORDERING INFORMATION

EXAMPLE: ALPSLED3705KT4-UN4

SERIES	WATTAGE	COLOR TEMP	DISTRIBUTION	VOLTAGE	MOUNTING	OPTIONS
ALPSLED	[370] : 370 Watts	[5K] : 5000K	[T4] : Type IV	[-UN4] : 480V	[-SP] : Square Pole Arm	[-HS] : House Side Shield
					[-R3] : 3" Round Pole	
					[-R4] : 4" Round Pole	
					[-R5] : 5" Round Pole	
					[-SF] : 2 3/8" Slipfitter	



CONTRACTOR:	
PROJECT:	DATE:
PREPARED BY:	MODEL#:

ELECTRICAL SPECIFICATIONS

Input Voltage
347-480VAC

Input Current
3.1A

Power Factor
>0.9

Frequency
50-60Hz

Input Power
370w

THD
<10%

Efficacy
119+ LM/W

LED Quantity
(6) 12 chip modules

Lens Type
IV

CRI
>70

Dimming
0-10V

Lumens
43000+ Lumens

Color Temp
5000K

Beam Angle
57.7°

ACCESSORIES

AL-HS
House side shield (6 pieces required)

AL-PS3R
3" round pole adapter

AL-PSSF
2-3/8" slipfitter

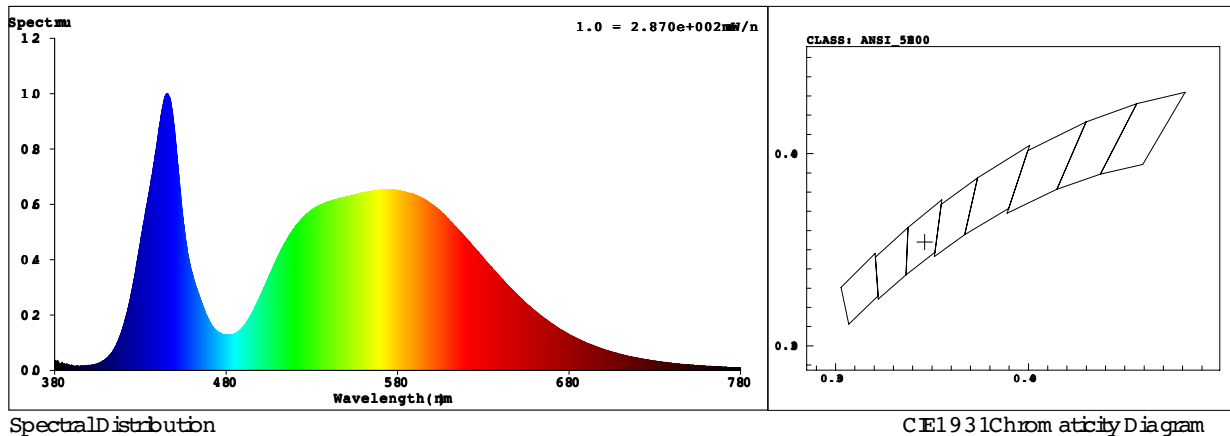
AL-PS4R
4" round pole adapter

AL-PSSQ
Square pole mount arm

AL-PS5R
5" round pole adapter

PERFORMANCE SPECIFICATIONS

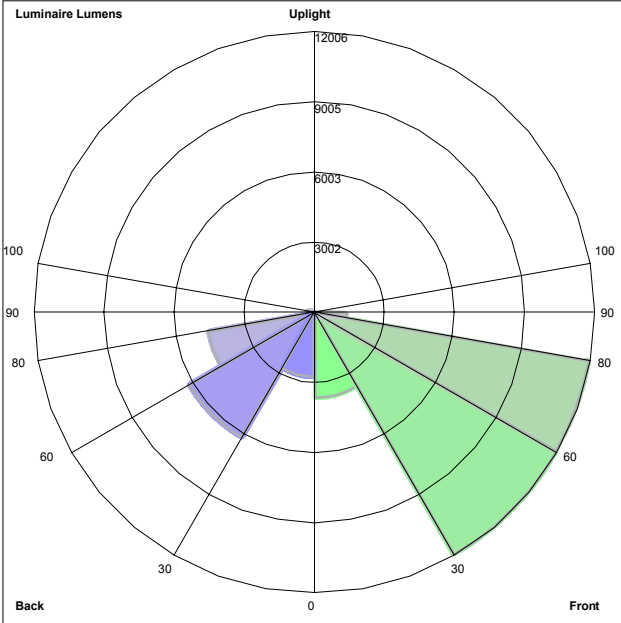
SPECTRAL POWER DISTRIBUTION & CHROMATICITY DIAGRAM





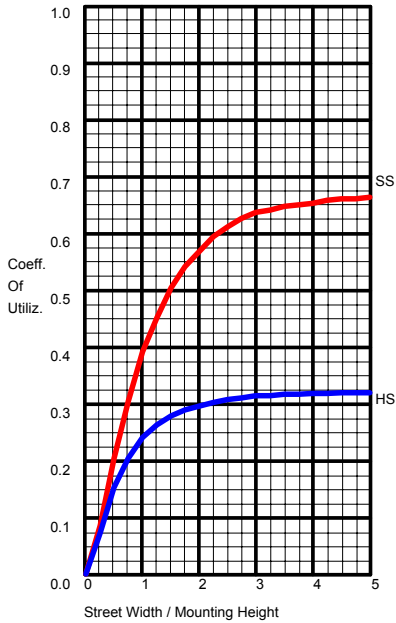
CONTRACTOR:	
PROJECT:	DATE:
PREPARED BY:	MODEL#:

PERFORMANCE SPECIFICATIONS



BUG REPORT
TAMLITE LIGHTING HID
ALPSLED3705KT3-UN4
 Luminaire Lumens:
 Front:
 Low=3691.9, Medium=12006.4,
 High=11982.0, Very High=1414.1
 Back:
 Low=2797.2, Medium=6233.9,
 High=4642.8, Very High=359.9
 Uplight:
 Low=0.0, High=0.0

BUG Rating : B4-U0-G5

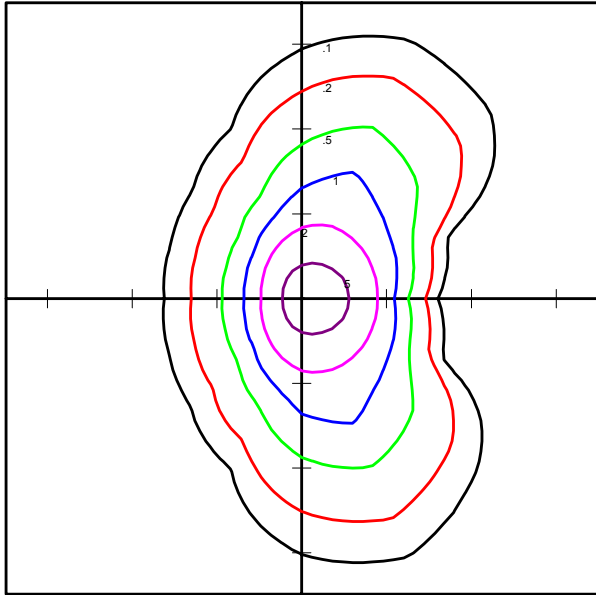


	LUMENS	PERCENT OF LAMP
DOWNWARD STREET SIDE	29094.5	67.5
DOWNWARD HOUSE SIDE	14033.8	32.5
DOWNWARD TOTAL	43128.3	100
UPWARD STREET SIDE	0.0	0.0
UPWARD HOUSE SIDE	0.0	0.0
UPWARD TOTAL	0.0	0.0
TOTAL FLUX	43128.3	100.0

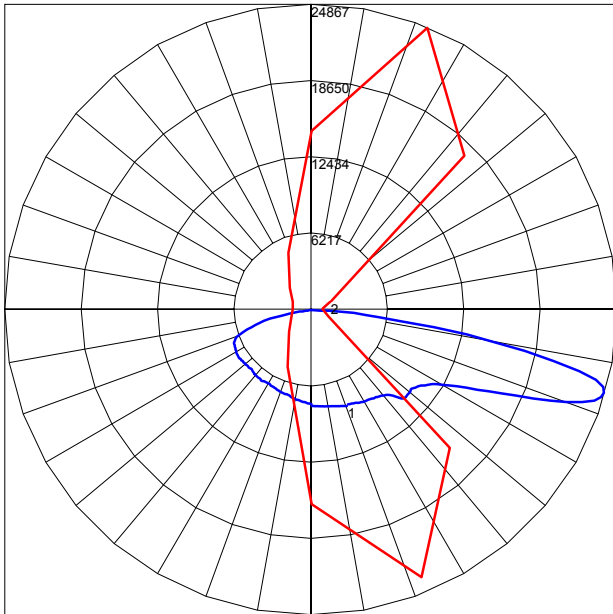


CONTRACTOR:	
PROJECT:	DATE:
PREPARED BY:	MODEL#:

PHOTOMETRIC ISOLINES



TAMLITE LIGHTING HID
 ALPSLED3705KT4-UN4
 Horizontal Footcandles
 Scale : 1 Hash = 50 Ft.
 Light Loss Factor = 1.00
 Lumens Per Lamp = N.A.
 Lumens = 43128
 Mounting Height = 30.00 Ft
 Maximum Calculated Value = 9.12 Fc
 Arrangement: Single



Polar Graph
 Maximum Candela = 24867.19
 Located at Horizontal Angle = 67.5
 Vertical Angle = 74
 Vertical Plane Through Horizontal
 Angles (67.5 - 247.5)
 Horizontal Cone Through Vertical
 Angle
 (74)