



CONTRACTOR:	
PROJECT:	DATE:
PREPARED BY:	MODEL#:

DESCRIPTION



DDSLEDWSCS SERIES

The DDSLEDWSCS wattage & color selectable series is an excellent choice where an economical, dependable light source with dusk to dawn operation is desired.



FEATURES & SPECIFICATIONS

Intended Use

Outdoor wall-mounted fixture used for perimeter and entry lighting.

Construction

Durable ADC12 aluminum housing with gray powder coat finish.

Optics

Precision molded polycarbonate optical lens is engineered for superior light area distribution.

Dimming

0-10V

Operating Temperatures

-40°C~+40°C

Photocell

Integrated photocell

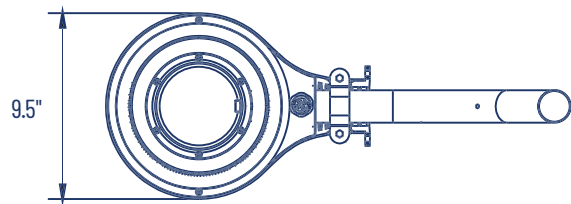
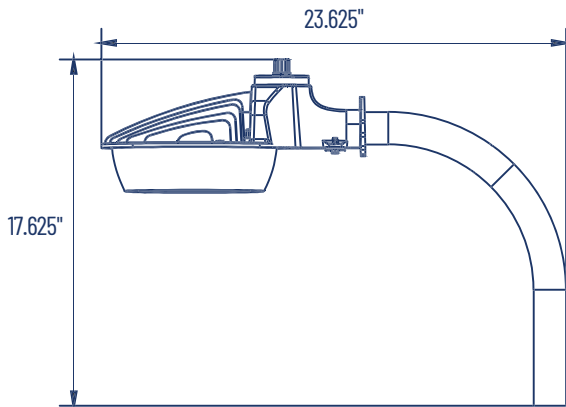
Listings

DesignLights Consortium® (DLC) qualified product. Not all versions of this product may be DLC qualified. Please check the DLC Qualified Products List at www.designlights.org/QPL to confirm which versions are qualified.

Warranty

5-year limited warranty.

LINE DRAWINGS



APPLICATION AND PERFORMANCE SPECIFICATION IS SUBJECT TO CHANGE WITHOUT NOTIFICATION



CONTRACTOR:	
PROJECT:	DATE:
PREPARED BY:	MODEL#:

ORDERING INFORMATION

Example: DDSLEDWSCS

SERIES	WATTAGE	COLOR TEMP.	BODY COLOR
DDSLED	[WS]: Selectable 30W/40W/50W	[CS]: Selectable 3000K/4000K/5000K	[Blank]: Grey

*Mount arm included

LIGHTING SPECIFICATIONS

SERIES	LUMENS	LPW	WATTAGE	VOLTAGE	CRI
DDSLEDWSCS	3900lm/5200lm/6500lm	130 lm/W	30W/40W/50W	100-277V	>70