

MODEL :		TYPE
PROJECT :		
PREPARED BY :	DATE :	

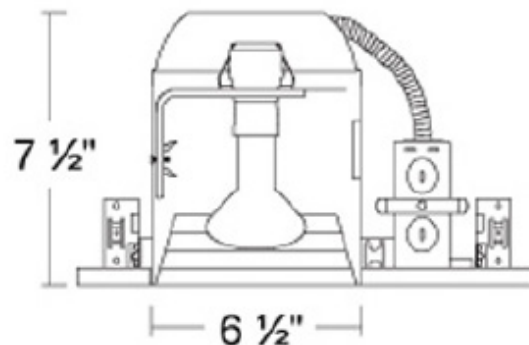
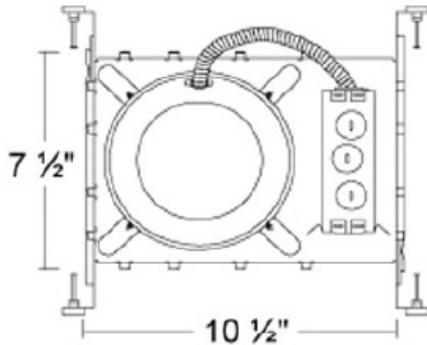
SPECIFICATIONS

DL106 SERIES

6" Non-IC new work housing for line voltage (120V) for use with 150W R40/PAR38 lamps. These are designed for use in non-insulated ceilings for general floor and task lighting.



LINE DRAWING



CONSTRUCTION

DESCRIPTION

6" Non-IC new work housing for line voltage (120V) for use with 150W R40/PAR38 lamps. These are designed for use in non-insulated ceilings for general floor and task lighting.

HOUSING

Non-IC housing, thermally protected against misuse of insulation materials and improper lamping
 J-box is listed for through-branch circuit wiring
 (6) 1/2", (1) 3/4" knockouts and (4) pry-outs with Romex cable clamp

MOUNTING

Housing adjusts to accommodate various ceiling thicknesses
 Pre-installed hanger bars allow for free positioning within a 24" joist span
 Triangulated bar hangers with nails and leveling tab on the footprint
 Bar hangers are designed to fit T-bar spine without additional clamps for drop ceiling usage
 7 1/2" height allows use in 2" x 8" construction
 Ceiling Cutout Size : 6.31"

ELECTRICAL

SOCKET

Medium base porcelain socket on adjustable mounting bracket for proper lamp positioning

LISTINGS/RATINGS

LISTINGS/RATINGS/COMPLIANCE

UL, C-UL listed for damp location and feed through wiring.

WARRANTY

WARRANTY

Guaranteed one year from the purchase date of the product, against mechanical defects in manufacturing.

MODEL :		TYPE
PROJECT :		
PREPARED BY :	DATE :	

ORDERING INFORMATION

Sample Part Code: DL106

DL	106
SERIES	HOUSING

DL

[106] : 6" Non-IC Rated

ACCESSORIES

ACCESSORIES

TM3 (75W. Max), TM4 (150W Max) 6" Open Trims (Metal)

TM3B (75W. Max), TM4B (150W Max) 6" Baffle Trims (Metal ring on special finishes)

TM3R (75W. Max), TM4R (150W Max) 6" Reflector Trims (Metal ring on special finishes)

TM102A (100W Max) Air Tight Cone Baffle (Self Flange/Pre-installed Gasket)

TM19R (100W Max) Reflector Trim

TM19RA (100W Max) 6" Air Tight Reflector (Metal ring on special finishes)

TM11 (100W Max) 6" Clear Reflector with Baffle

TM11A (100W Max) 6" Air Tight Reflector with Baffle

TM8E (75W Max) 6" Eyeball with Baffle (All steel construction)

TM38E (75W Max) 6" Eyeball with baffle (All steel construction)

TM98E (75W Max) 6" Regressed Eyeball (White metal ring)

TM630R (75W Max), TM638R (150W Max) 6" Reflector with Regressed Gimbal Ring

TM630B (75W Max), TM638B (150W Max) 6: Baffle with Regressed Gimbal (metal ring on special finishes)

TM330 (75W Max), TM338 (150W Max) 6" Gimbal Ring (All steel construction)

TM52 (60W Max) 6" Wall Wash (White metal ring only/All steel construction)

TM54C (75W Max) 6" Wall Wash with Reflector

TM54B (75W Max) 6" Wall Wash with Baffle

TM42 (60W Max) 6" Baffle with Fresnel Lens

TM43 (60W Max) 6" Baffle with Abalite Lens

TM44 (60W Max) 6: Baffle with Prismatic Lens

TM102AWT (75W Max Outdoor Rated Lamp Only) 6" Wet Location Air Tight Shower Baffle (Self-Flange)

TM13 (60W Max) 6" Flat Frosted Shower Trim

TM15(P) (60W Max) 6" Albalite Glass Shower Trim

TM16(P) (60W Max) 6" Drop Opal Glass Shower Trim

TM17(P) (60W Max) 6" Fresnel Glass Shower Trim