

MODEL :		TYPE
PROJECT :		
PREPARED BY :	DATE :	

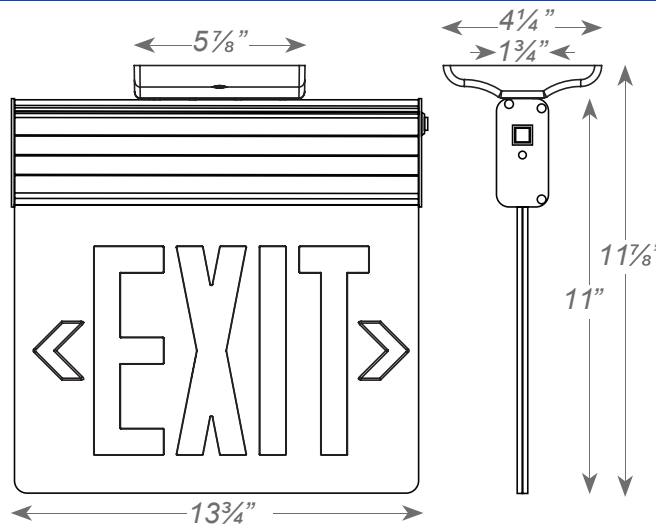
SERIES SPECIFICATIONS

EXE SERIES

The EXE series extruded aluminum edge-lit LED exit signs offers a sleek high end modern look with long lamp life, energy efficiency and uniform illumination.



LINE DRAWING



CONSTRUCTION

Housing

Premium grade, extruded aluminum housing (also available in black or white powder-coat finishes).

Transfer switch

Internal solid-state transfer switch automatically connects the internal battery to lamp heads

Chevrons

Self-adhesive chevron appliques and guide template provided for directional indication

Illumination

Ultra bright, long life Red or Green LED

Charger

Fully automatic solid-state, two rate charger initiates battery charging to recharge a discharged battery in 24 hours

Panel

UV-stabilized ultra-clear acrylic edgelit panel. Double face utilizes factory installed silver or white mylar background panel.

MODEL :		TYPE
PROJECT :		
PREPARED BY :	DATE :	

ELECTRICAL SPECIFICATIONS

Battery Type 4.8V Rechargeable NiCad	Emergency Illumination Minimum 90 Minutes	Battery Recharge Time 24 Hours
Low Voltage Disconnect Prevents battery from deep discharge	Frequency 60Hz	Battery Discharge Time 1.5 Hours
Operating Voltage 120/277	Operating Temp 0°C ~ 50°C	

AMPERAGE/WATTAGE

CATALOG NUMBER	INPUT WATTS (W)		INPUT AMPS (A)	
	120V	277V	120V	277V
EXE	3.6	4.0	0.030	0.020
EXE-SD/DC	3.6	4.0	0.030	0.020

MOUNTING SPECIFICATIONS

Canopy
 Aluminum mounting canopy
 included for top, end or back mount.

OPTIONS

SD Self-diagnostic feature performs monthly, biannual, and annual tests to ensure reliable operation and meet electrical and life safety codes	DC Dual circuit option on the AC-only unit enables it to be connected to two different (one acting as a back-up to the other) supplies at the same time
USA Substantial transformation assembly in the U.S. complies with "Assembled in the USA" under the Buy American Act	CW Signs available with requested "special" wording

MODEL :		TYPE
PROJECT :		
PREPARED BY :	DATE :	

CERTIFICATIONS/WARRANTY

Listing
UL Listed

Compliance
Meets UL924, cULus, NFPA 101 Life Safety Code, NEC, OSHA, Local and State Codes.

Location Rating:
Suitable for damp locations

Warranty
Guaranteed for five years from the purchase date of the product, against mechanical defects in manufacturing. Batteries are pro-rated for two years.

ORDERING INFORMATION

Part Number: EXE2RAEM

SERIES	NO. OF FACES	LETTER COLOR	HOUSING COLOR	FINISH	OPERATION	OPTIONS
EXE	[1] : Single Face	[G] : Green	[A] : Anodized Aluminum	[BLANK] : Clear	[BLANK] : A/C Only	[BLANK] : No Option
	[2] : Double Face	[R] : Red	[B] : Black	[B] : Black	[EM] : Battery Backup	[CW] : Custom Wording
			[W] : White	[M] : Mirror		[DC] : Dual Circuit
				[W] : White		[SD] : Self Diagnostics
						[USA] : Assembled in the USA