

CONTRACTOR:		DATE:
PROJECT:		
PREPARED BY:	MODEL#: TCOBR3120BZ	

SERIES SPECIFICATIONS



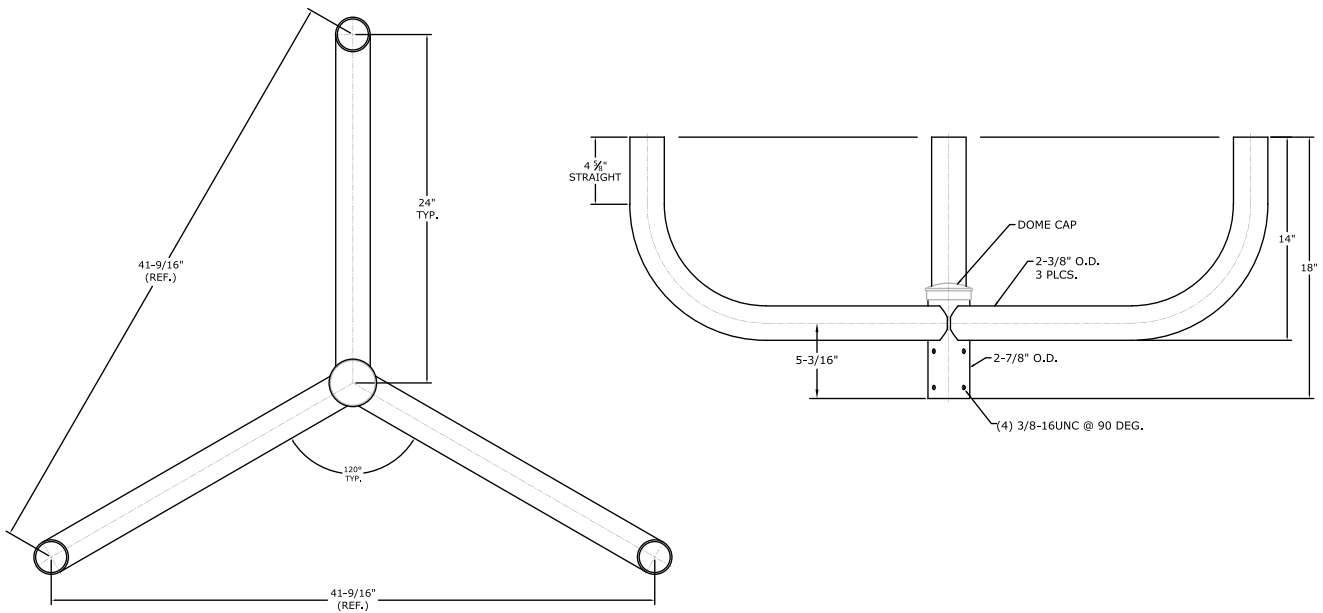
TCOBR3120BZ

3 Light Tubular Bracket

FEATURES AND SPECIFICATIONS

- Weight**
33 lbs.
- EPA RATING**
1.9
- Finish**
Dark Bronze
- Warranty**
1-year limited warranty.

LINE DRAWING



APPLICATION AND PERFORMANCE SPECIFICATION IS SUBJECT TO CHANGE WITHOUT NOTIFICATION