



CONTRACTOR:	
PROJECT:	DATE:
PREPARED BY:	MODEL#: TCOSB490BZ

**SERIES SPECIFICATIONS**



**TCOSB490BZ**

4 Spoke Bracket @ 90

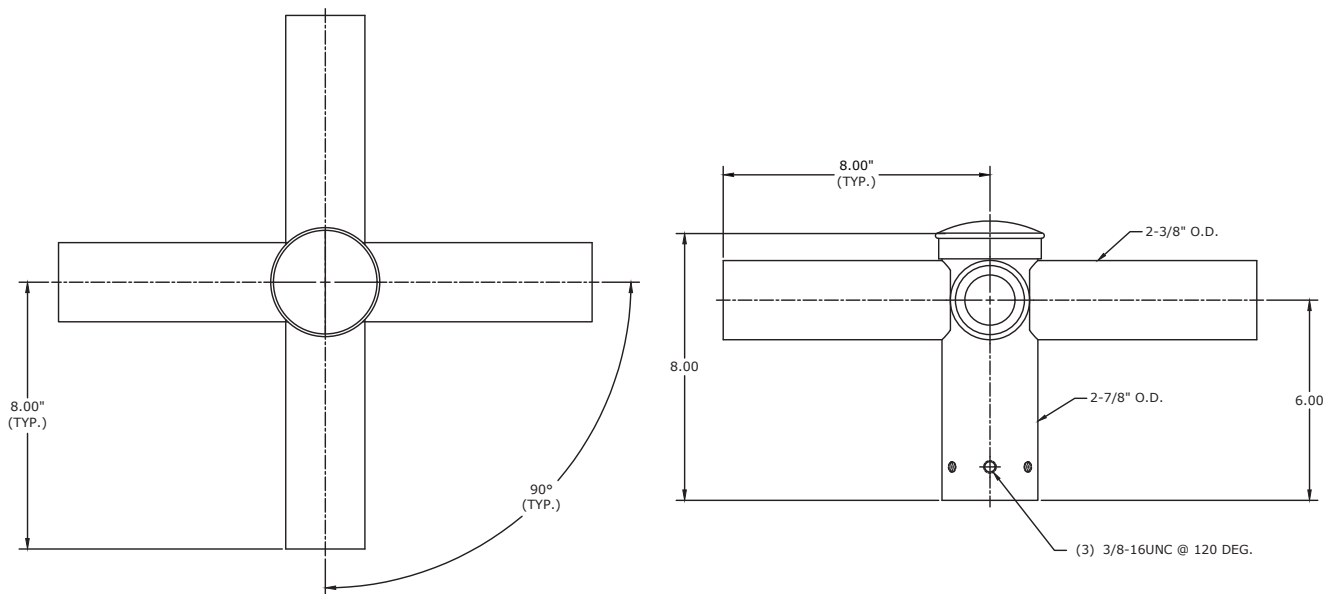
**FEATURES AND SPECIFICATIONS**

**Finish**  
Dark Bronze

**Warranty**  
1-year limited warranty.

**EPA Rating**  
0.6

**LINE DRAWING**



APPLICATION AND PERFORMANCE SPECIFICATION IS SUBJECT TO CHANGE WITHOUT NOTIFICATION