

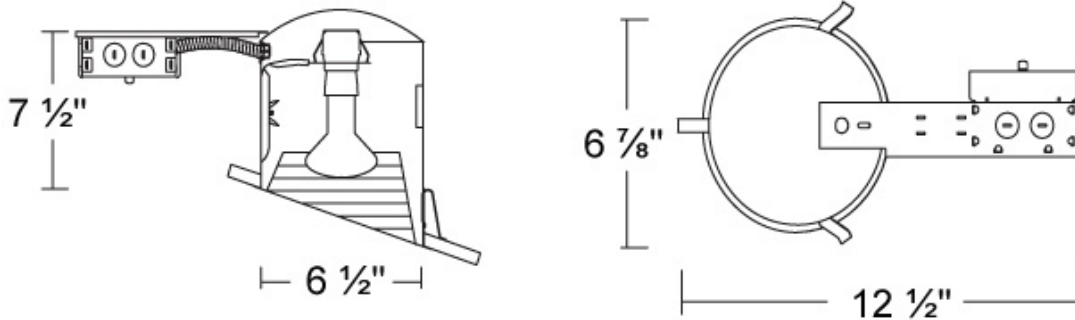
MODEL :		TYPE
PROJECT :		
PREPARED BY :	DATE :	

SPECIFICATIONS

6" Slope IC Remodel Housing
 Line Voltage: 120V - 75W R/PAR30, 60W A19



LINE DRAWING



CONSTRUCTION

HOUSING

- IC rated standard slope air-tight housing, thermally protected against misuse of insulation materials and improper lamping
- Housing designed to accommodate 2/12 to 6/12 pitch (9° to 27°)
- J-box is listed for through-branch circuit wiring with (6) 1/2" knockouts, (1) 3/4" knockout and (4) pry-outs Romex cable clamp
- Housing adjusts to accommodate various ceiling thicknesses
- 7 1/2" height allows use in 2" x 8" construction

SOCKET

- Medium base porcelain socket on adjustable mounting bracket for proper lamp positioning

LISTINGS/RATINGS

LISTINGS/RATINGS/COMPLIANCE

UL, C-UL listed for damp location, feed through wiring and direct contact with insulation. Certified under ASTM-E283 for Airtight Construction

WARRANTY

WARRANTY

Guaranteed one year from the purchase date of the product, against mechanical defects in manufacturing.

NOTES

NOTES

Product performance may vary depending on model and end user environment.

MODEL :		TYPE
PROJECT :		
PREPARED BY :	DATE :	

ORDERING INFORMATION

Sample Part Code: IC806R

IC	806	R
SERIES	CONFIGURATION	TYPE
IC	[806] : 6" Slope IC	[R] : Remodel