

MODEL :		TYPE
PROJECT :		
PREPARED BY :	DATE :	

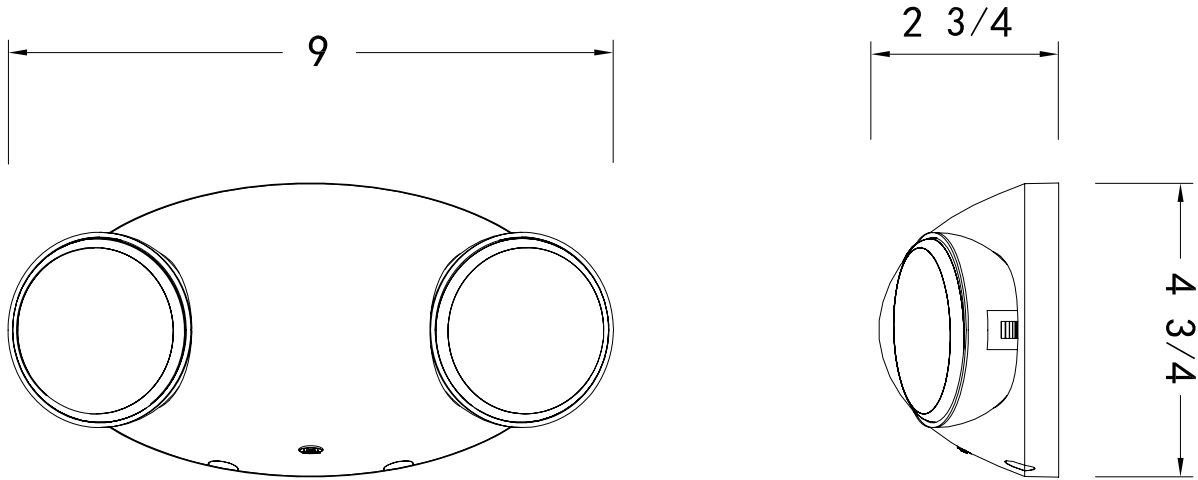
## SERIES SPECIFICATIONS

LSR-1 SERIES

The LSR-1 is a thermoplastic LED emergency light that utilizes fully adjustable LED heads, long life and environmentally friendly Ni-Cad battery in an easy to install fixture design.



## LINE DRAWING



## CONSTRUCTION

### Housing

Injection molded, engineering grade, UV-stabilized, UL 94V-0, high impact resistant thermoplastic

### Transfer switch

Internal solid-state transfer switch automatically connects the internal battery to lamp heads

### Remote Capacity\*

3.44W

### Lamp Heads

Adjustable high performance, LED lamp heads with 8 LEDs standard

### Charger

Fully automatic solid-state, two rate charger initiates battery charging to recharge a discharged battery in 24 hours.

### Remote Compatibility\*

LSRH1 and LSRH2 - 3.6 Series

MODEL :		TYPE
PROJECT :		
PREPARED BY :	DATE :	

## ELECTRICAL SPECIFICATIONS

Battery Type Rechargeable NiCad	Emergency Illumination Minimum 90 Minutes	Battery Recharge Time 24 Hours
Low Voltage Disconnect Prevents battery from deep discharge	LED Indicator Charge rate/power "ON" and push to test switch	Battery Discharge Time 1.5 Hours
Operating Voltage 120/277		

## AMPERAGE/WATTAGE

CATALOG NUMBER	INPUT WATTS (W)		INPUT AMPS (A)	
	120V	277V	120V	277V
LSR-1	.85	.80	0.010	0.010

## MOUNTING SPECIFICATIONS

Surface mount via "easy connect" backplate which fits most standard junction boxes	Snaps into place making internal electrical connections	Flexible conduit mounts using knockouts on backplate
--	---	--

## Options

<b>SD**</b> Self-diagnostic test feature continually diagnoses unit's performance and tests system to ensure reliable operation and to meet electrical and life safety codes (Available on HL version only)	<b>HL</b> UL Listed for special voltage option. (Not available for SD option)
<b>RC</b> Remote capable option will run two LED remote heads for 90 minutes.	

MODEL :		TYPE
PROJECT :		
PREPARED BY :	DATE :	

## CERTIFICATIONS/WARRANTY

Listing  
UL Listed

Compliance  
Meets UL924, cULus, NFPA 101 Life Safety Code, NEC, OSHA, Local and State Codes.

Location Rating:  
Suitable for damp locations

Warranty  
Guaranteed for five years from the purchase date of the product, against mechanical defects in manufacturing. Batteries are pro-rated for two years.

## ORDERING INFORMATION

Part Number: LSR-1

LSR-1		
SERIES	HOUSING COLOR	OPTIONS
LSR-1	[BLANK] : White	[BLANK] : No Options
	[B] : Black	[HL] : High Lumen Heads
		[RC] : Remote Capable
		[SD] : Self Diagnostic

## REMOTE COMPATIBILITY CHART

Use the below charts to pick the correct voltage for your remote capable device.

### REMOTE COMPATIBILITY CHART

SERIES	ESRH SERIES		LSRH SERIES (LED)		
	6V	12V	3.6V	9.6V	MULTI
ESLFX-2				X	X
LXP-RC			X		X
LXPC-RC			X		X
EXDC-RC			X		X
EXWTC-RC			X		X
ESLR-1RC			X		X
LSR-1RC			X		X
ESR-16R-65	X				X
LXPCP-RC				X	X
EXPCL-RC				X	X
ESR-16R-LED	X				X

SERIES	ESRH SERIES		LSRH SERIES (LED)		
	6V	12V	3.6V	9.6V	MULTI
ESR-1HO	X				X
LSDXR627	X				X
ESTFX-2	X				X
ESDXR6	X				X
ESDXRS6	X				X
ESDXR12		X			X
ESDXRS12		X			X
ESR-16R-125		X			X
ESR-16R-LED12		X			X
EXP-RC	X				X
LXWTC-RC			X		X

## REMOTE COMPATIBILITY CHART

\*RC option only

\*\*Available in HL version only