

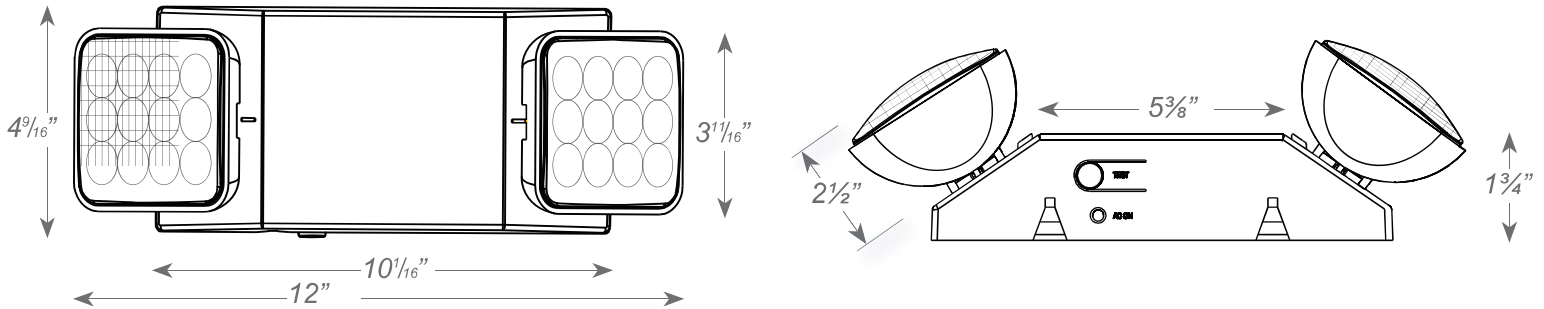
MODEL :		TYPE
PROJECT :		
PREPARED BY :	DATE :	

SERIES SPECIFICATIONS

The ESLR-1 is a thermoplastic LED emergency light that utilizes fully adjustable LED heads, long life and environmentally friendly Ni-Cad battery in an easy to install fixture design.



LINE DRAWING



CONSTRUCTION

Housing

Injection-molded, engineering grade, 5VA flame retardant, high-impact resistant, thermoplastic in white or black finish.

LED Lamp Heads

Two long lasting, efficient, ultra bright white LED lamp heads with polycarbonate lens.

Reflector

High performance chrome-plated metalized reflector and prismatic polycarbonate lens for optimal light distribution.

Transfer switch

Internal solid-state transfer switch automatically connects the internal battery to LED lamp heads

BATTERY SPECIFICATIONS

Battery Type

3.6V Rechargeable Ni-Cad

Emergency Illumination

Minimum 90 Minutes

Battery Recharge Time

24 Hours.

Low Voltage Disconnect

Prevents battery from deep discharge

LED Indicator

Charge rate/power "ON" and push to test switch

Battery Charger

Two rate, fully automatic solid-state

MODEL :		TYPE
PROJECT :		
PREPARED BY :	DATE :	

ELECTRICAL SPECIFICATIONS CONT.

LEDS per Head
1W (8 LEDs x 0.125W)

Operating Voltage
120/277 (Standard)

Lumens
90 lumens

Input Amps
0.022 @ 120V
0.024 @ 208V*
0.029 @ 220V*
0.025 @ 240V*
0.010 @ 277V

Input Watts
1.8 @ 120V
2.6 @ 208V*
3.5 @ 220V*
3.1 @ 240V*
1.8 @ 277V

Frequency
50/60Hz

*SPV option only

MOUNTING SPECIFICATIONS

Backplate
Snaps into place making
internal electrical
connections

Surface Mount
"Easy Connect" backplate
which fits most standard
junction boxes.

Conduit Mount
Mounts using knockouts on
the backplate or on top of
housing

Suitable for wall or ceiling mount

Center to Center Spacing



1	0.20	.3	0.50	.4	0.40	.5	0.60	.8	1.00	.8	0.90	.8	0.40	.2	0.2	
2	0.30	.5	0.70	.8	0.90	.8	0.91	.0	1.11	.4	1.10	.8	0.50	.3	0.2	
3	0.40	.7	1.01	.0	1.11	.1	1.11	.3	1.41	.1	0.90	.9	0.70	.5	0.2	
4	0.50	.7	0.91	.1	1.21	.2	1.01	.1	1.11	.0	1.10	.8	0.60	.3	0.2	
5	0.50	.7	0.80	.8	1.01	.1	0.80	.8	1.00	.9	0.60	.5	0.40	.3	0.2	
6	0.40	.5	0.70	.7	0.80	.8	0.60	.5	0.60	.5	0.40	.4	0.30	.2	0.2	
	7	6	5	4	3	2	1	0	1	2	3	4	5	6	7	8

Meets NFPA 101 Requirements for: 10' center-to-center spacing - 3' path of egress 1' from wall - 7 1/2' mounting height.

Options

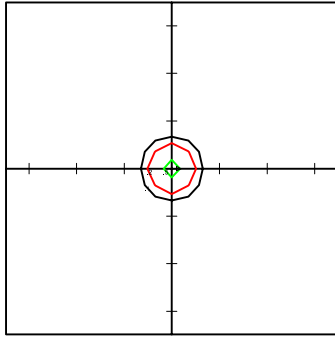
SD:
Self-diagnostic test feature
continually diagnoses unit's perfor-
mance and tests system to ensure
reliable operation and to meet
electrical and life safety codes

HL
High Lumen option gives a total
of 1.5 Watts (12 LED's x .125W)
per head, which will provide a
total of 130 lumens of egress
lighting in emergency mode.

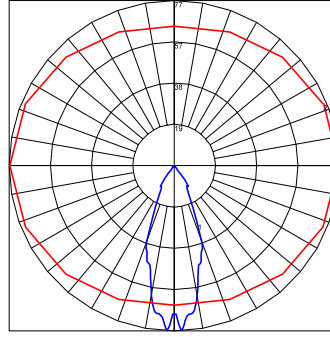
SPV
UL Listed for special voltage
option. (Not available for SD
option)

MODEL :		TYPE
PROJECT :		
PREPARED BY :	DATE :	

Photometric Specifications



TAMLITE LIGHTING
 EMERGENCY AND FIRE
 ESLR-1
 Horizontal Footcandles
 Scale: 1 Inch = 10 Ft.
 Light Loss Factor = 1.00
 Lumens Per Lamp = N.A.
 Lumens = 45
 Mounting Height = 10.00 Ft
 Maximum Calculated Value = 0.69 Fc
 Arrangement: Single



Polar Graph
 Maximum Candela = 76.5
 Located at Horizontal Angle = 0
 Vertical Angle = 2.5
 Vertical Plane Through Horizontal
 Angles
 (0 - 180)
 Horizontal Cone Through Vertical
 Angle
 (2.5)

CERTIFICATIONS/WARRANTY

Listing
 UL Listed

Location Rating:
 Suitable for damp locations

Warranty

Guaranteed for five years from the purchase date of the product, against mechanical defects in manufacturing.
 Batteries are pro-rated for two years.

Safety Certifications

UL924, NFPA 101 Life Safety Code, NEC, OSHA,
 Local and State Codes.

ORDERING INFORMATION

Sample Part Number: ESLR-1

Carton Dimensions: 12.25x5x4IN
 31.115x12.7x10.16CM

Case Dimensions: 16.14x14.17x15.75IN
 40.996x35.992x40.005CM

Case Qty: 12 Pcs

ESLR-1		
SERIES	HOUSING COLOR	OPTION
ESLR-1	[BLANK] : White	[BLANK] : No Option
	[B] : Black	[SD] : Self-Diagnostic
		[HL] : High Lumen Heads
		[SPV] : 208/220/240V (Not available with SD option)