

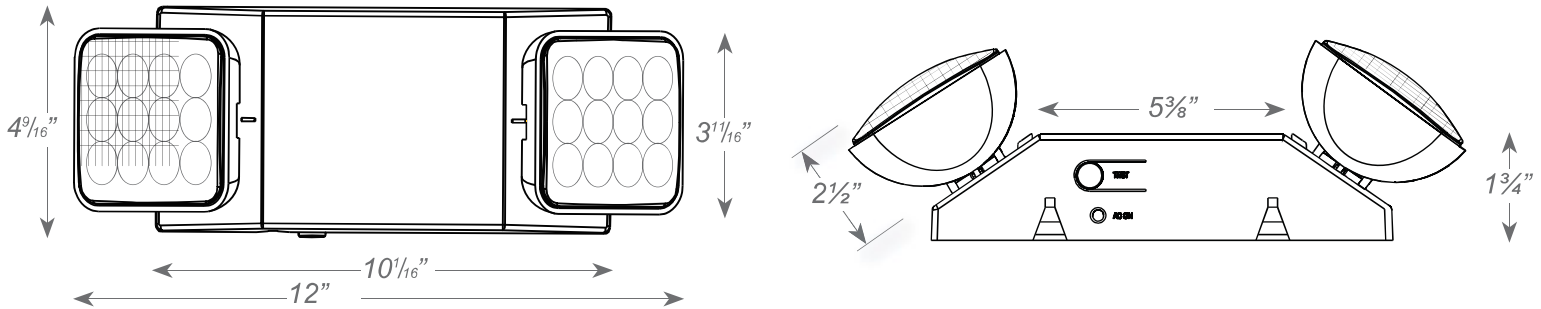
MODEL :		TYPE
PROJECT :		
PREPARED BY :	DATE :	

## SERIES SPECIFICATIONS

The ESLR-1 is a thermoplastic LED emergency light that utilizes fully adjustable LED heads, long life and environmentally friendly Ni-Cad battery in an easy to install fixture design.



## LINE DRAWING



## CONSTRUCTION

### Housing

Injection-molded, engineering grade, 5VA flame retardant, high-impact resistant, thermoplastic in white or black finish.

### LED Lamp Heads

Two long lasting, efficient, ultra bright white LED lamp heads with polycarbonate lens.

### Reflector

High performance chrome-plated metalized reflector and prismatic polycarbonate lens for optimal light distribution.

### Transfer switch

Internal solid-state transfer switch automatically connects the internal battery to LED lamp heads

## BATTERY SPECIFICATIONS

### Battery Type

3.6V Rechargeable Ni-Cad

### Emergency Illumination

Minimum 90 Minutes

### Battery Recharge Time

24 Hours.

### Low Voltage Disconnect

Prevents battery from deep discharge

### LED Indicator

Charge rate/power "ON" and push to test switch

### Battery Charger

Two rate, fully automatic solid-state

MODEL :		TYPE
PROJECT :		
PREPARED BY :	DATE :	

### ELECTRICAL SPECIFICATIONS CONT.

LEDS per Head  
1W (8 LED's x 0.125W)

Operating Voltage  
120/277 (Standard)

Lumens  
90 lumens

Input Amps  
0.022 @ 120V  
0.024 @ 208V\*  
0.029 @ 220V\*  
0.025 @ 240V\*  
0.010 @ 277V

Input Watts  
1.8 @ 120V  
2.6 @ 208V\*  
3.5 @ 220V\*  
3.1 @ 240V\*  
1.8 @ 277V

Frequency  
50/60Hz

\*SPV option only

### MOUNTING SPECIFICATIONS

Backplate  
Snaps into place making  
internal electrical  
connections

Surface Mount  
"Easy Connect" backplate  
which fits most standard  
junction boxes.

Conduit Mount  
Mounts using knockouts on  
the backplate or on top of  
housing

Suitable for wall or ceiling mount

### Center to Center Spacing



1	0.20	.3	0.50	.4	0.40	.5	0.60	.8	1.00	.8	0.90	.8	0.40	.2	0.2	
2	0.30	.5	0.70	.8	0.90	.8	0.91	.0	1.11	.4	1.10	.8	0.50	.3	0.2	
3	0.40	.7	1.01	.0	1.11	.1	1.11	.3	1.41	.1	0.90	.9	0.70	.5	0.2	
4	0.50	.7	0.91	.1	1.21	.2	1.01	.1	1.11	.0	1.10	.8	0.60	.3	0.2	
5	0.50	.7	0.80	.8	1.01	.1	0.80	.8	1.00	.9	0.60	.5	0.40	.3	0.2	
6	0.40	.5	0.70	.7	0.80	.8	0.60	.5	0.60	.5	0.40	.4	0.30	.2	0.2	
	7	6	5	4	3	2	1	0	1	2	3	4	5	6	7	8

Meets NFPA 101 Requirements for: 10' center-to-center spacing - 3' path of egress 1' from wall - 7 1/2' mounting height.

### Options

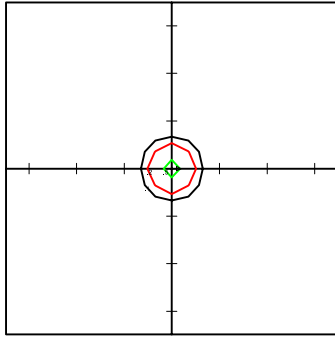
SD:  
Self-diagnostic test feature  
continually diagnoses unit's perfor-  
mance and tests system to ensure  
reliable operation and to meet  
electrical and life safety codes

HL  
High Lumen option gives a total  
of 1.5 Watts (12 LED's x .125W)  
per head, which will provide a  
total of 130 lumens of egress  
lighting in emergency mode.

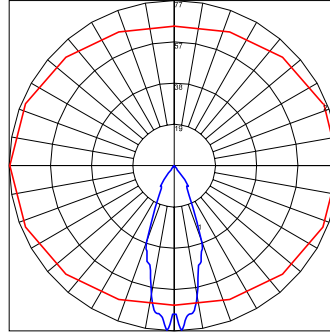
SPV  
UL Listed for special voltage  
option. (Not available for SD  
option)

MODEL :		TYPE
PROJECT :		
PREPARED BY :	DATE :	

### Photometric Specifications



TAMLITE LIGHTING  
 EMERGENCY AND FIRE  
 ESLR-1  
 Horizontal Footcandles  
 Scale: 1 Inch = 10 Ft.  
 Light Loss Factor = 1.00  
 Lumens Per Lamp = N.A.  
 Lumens = 45  
 Mounting Height = 10.00 Ft  
 Maximum Calculated Value = 0.69 Fc  
 Arrangement: Single



Polar Graph  
 Maximum Candela = 76.5  
 Located at Horizontal Angle = 0  
 Vertical Angle = 2.5  
 Vertical Plane Through Horizontal  
 Angles  
 (0 - 180)  
 Horizontal Cone Through Vertical  
 Angle  
 (2.5)

### CERTIFICATIONS/WARRANTY

Listing  
 UL Listed

Location Rating:  
 Suitable for damp locations

Warranty

Guaranteed for five years from the purchase date of the product, against mechanical defects in manufacturing.  
 Batteries are pro-rated for two years.

Safety Certifications

UL924, NFPA 101 Life Safety Code, NEC, OSHA,  
 Local and State Codes.

### ORDERING INFORMATION

Sample Part Number: ESLR-1

Carton Dimensions: 12.25x5x4IN  
 31.115x12.7x10.16CM

Case Dimensions: 16.14x14.17x15.75IN  
 40.996x35.992x40.005CM

Case Qty: 12 Pcs

ESLR-1	B	SD
SERIES	HOUSING COLOR	OPTION
ESLR-1	[BLANK] : White	[BLANK] : No Option
	[B] : Black	[SD] : Self-Diagnostic
		[HL] : High Lumen Heads
		[SPV] : 208/220/240V (Not available with SD option)

### UPC BARCODES

	GTIN-12	GTIN-14	IMS Code
ESLR-1	190010700738	00190010700738	0285-2655

