

MODEL :	TYPE
PROJECT :	
PREPARED BY :	DATE :

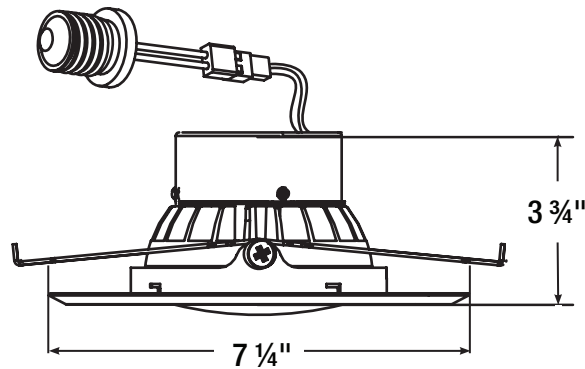
SERIES SPECIFICATIONS

DRFG56 SERIES

The DRFG56 is a 5" and 6" LED Retrofit kit. It is compatible with most 5" and 6" recessed standard housings. Ideal for both remodel or new construction applications. The retrofit kit comes with a disconnect screw-in base lead for easy installation into standard incandescent sockets.



LINE DRAWING



CONSTRUCTION

Housing

One-piece die cast aluminum

Mounting Style

Torsion Springs

Retrofit Connector

E26 medium screw-base

Gimbal

Can be rotated 22° vertically and °355 horizontally

Heat Sink

Specially designed trim functions as heat sink

Accommodates

Most 5" and 6" standard and shallow housings.

LED Driver

Built-in

ELECTRICAL SPECIFICATIONS

Input Voltage

120VAC

Dimming

5-100% 120V Only

Recommended dimmer

Electronic low voltage

MODEL :		TYPE
PROJECT :		
PREPARED BY :	DATE :	

ELECTRICAL SPECIFICATIONS (Cont.)

CRI
> 90

Wattage
13W

Operating Temp.
< 40°C

Frequency
50-60Hz

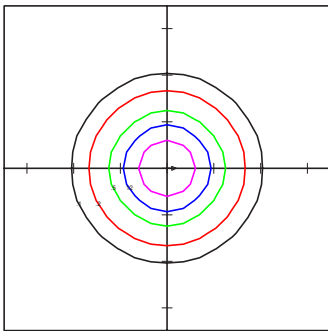
Color Temp
3000K / 4000K

Lumens
950

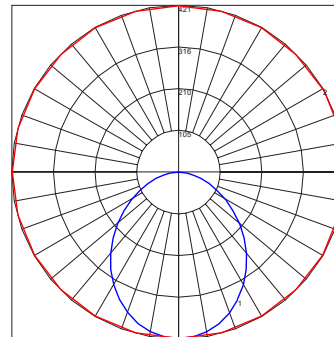
LED Lifespan
36,000 Hrs.

*Please consult factory for list of approved dimmers

PHOTOMETRIC ISOLINES



**TAMLITE LIGHTING DELUCE
DRFG56-3**
 Horizontal Footcandles
 Scale: Hash = 10 Ft.
 Light Loss Factor = 1.00
 Lumens Per Lamp = 1033.6
 Total Lamp Lumens = 1033.6
 Mounting Height = 10.00 Ft
 Maximum Calculated Value = 4.21 Fc
 Arrangement: Single



Polar Graph
 Maximum Candela = 420.801
 Located at Horizontal Angle = 0
 Vertical Angle = 0
 Vertical Plane Through Horizontal Angles
 (0-180)
 Horizontal Cone Through Vertical Angle
 (0)

CERTIFICATIONS/WARRANTY

Listing

UL, C-UL Listed

Location Rating:

Suitable for damp locations

ASTM

Certified under ASTM-E283 for Airtight Construction

Warranty

Guaranteed for five years from the purchase date of the product, against mechanical defects in manufacturing.

MODEL :		TYPE
PROJECT :		
PREPARED BY :	DATE :	

ORDERING INFORMATION

Sample Part Number: DRFG56-3

Carton Dimensions: 18.4x18.4x11.43CM
7.25x7.25x4.5IN

Case Dimensions: 56.83x38.1x16.19CM
22.375x15x6.375IN

Carton Weight: 1.8 Lbs

Case Weight: 12.1 Lbs
Case Quantity: 6 PCS

DRFG56		
SERIES	COLOR TEMP	FINISH
DRFG56	[-3] : 3000K	[BLANK] : White
	[-4] : 4000K	

NOTES

This unit can only be considered IC rated if used in approved IC rated housing.

APPROVED DIMMER LIST

MANUFACTURER	MODEL	DIMMING RATE
Cooper	DLC03P	10 - 100%
Leviton	1A1505 / 1C1605	10 - 100%
Leviton	6631 / 6633	10 - 100%
Lutron	CT-603PG / CT-600PR	10 - 100%
Lutron	DV-600PR / DV603PG	10 - 100%
Lutron	DVW-603PGH / DVCL-153P	10 - 100%
Lutron	MACL-153M / TGCL-153P	10 - 100%
Lutron	S-600PR / S-2-LH	10 - 100%