

MODEL :	TYPE
PROJECT :	
PREPARED BY :	DATE :

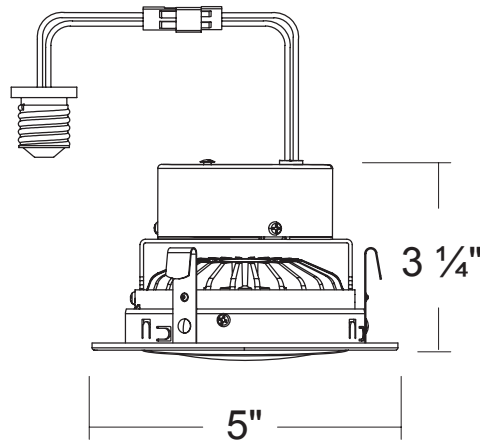
SERIES SPECIFICATIONS

DRFG4 SERIES

The DRFG4 is a 4" LED Retrofit kit. It is compatible with most 4" recessed standard housings. Ideal for both remodel or new construction applications. The retrofit kit comes with a disconnect screw-in base lead for easy installation into standard incandescent sockets.



LINE DRAWING



CONSTRUCTION

Housing

One-piece die cast aluminum

Mounting Style

Tension clips

Retrofit Connector

E26 medium screw-base

Gimbal

Can be rotated 22° vertically and °355 horizontally

Heat Sink

Specially designed trim functions as heat sink

Accommodates

Most 4" housings

LED Driver

Built-in

ELECTRICAL SPECIFICATIONS

Input Voltage

120VAC

Dimming

5-100% 120V Only

Recommended dimmer

Electronic low voltage

MODEL :		TYPE
PROJECT :		
PREPARED BY :	DATE :	

ELECTRICAL SPECIFICATIONS (Cont.)

CRI

> 90

Wattage

9W

Operating Temp.

-30°C~40°C (-22°F~104°F)

Frequency

50/60Hz

Color Temp

3000K / 4000K

Lumens

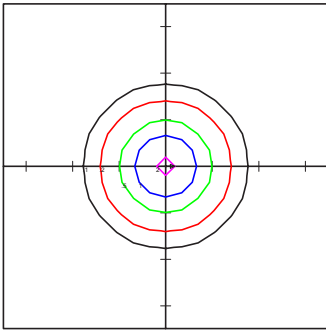
640

LED Lifespan

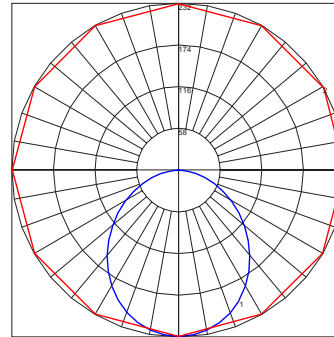
36,000 Hrs.

*Please consult factory for list of approved dimmers

PHOTOMETRIC ISOLINES


**TAMLITE LIGHTING DELUCE
DRFG4-3**

Horizontal Footcandles
 Scale: Hash = 10 Ft.
 Light Loss Factor = 1.00
 Lumens Per Lamp = 611.99
 Total Lamp Lumens = 611.99
 Mounting Height = 10.00 Ft
 Maximum Calculated Value = 2.32 Fc
 Arrangement: Single



Polar Graph
 Maximum Candela = 231.671
 Located at Horizontal Angle = 0
 Vertical Angle = 0
 Vertical Plane Through Horizontal Angles
 (0-180)
 Horizontal Cone Through Vertical Angle
 (0)

CERTIFICATIONS/WARRANTY

Listing

UL, C-UL Listed

Location Rating:

Suitable for damp locations

ASTM

Certified under ASTM-E283 for Airtight Construction

Warranty

Guaranteed for five years from the purchase date of the product, against mechanical defects in manufacturing.

MODEL :	TYPE
PROJECT :	
PREPARED BY :	DATE :

ORDERING INFORMATION

Sample Part Number: DRFG4-3

Carton Dimensions: 12.7x12.7x11.75CM
5x5x4.625IN

Case Dimensions: 40.64x27.3x25.9CM
16x10.75x10.25IN

Carton Weight: 1.4 Lbs

Case Weight: 17.3 Lbs
Case Quantity: 12 PCS

DRFG4		
SERIES	COLOR TEMP	FINISH
DRFG4	[-3] : 3000K	[BLANK] : White
	[-4] : 4000K	

NOTES

This unit can only be considered IC rated if used in approved IC rated housing.

APPROVED DIMMER LIST

MANUFACTURER	MODEL	DIMMING RATE
Cooper	DLC03P	10 - 100%
Leviton	1A1505 / 1C1605	10 - 100%
Leviton	6631 / 6633	10 - 100%
Lutron	CT-603PG / CT-600PR	10 - 100%
Lutron	DV-600PR / DV603PG	10 - 100%
Lutron	DVW-603PGH / DVCL-153P	10 - 100%
Lutron	MACL-153M / TGCL-153P	10 - 100%
Lutron	S-600PR / S-2-LH	10 - 100%