



CONTRACTOR:	
PROJECT:	DATE:
PREPARED BY:	MODEL#: RFJ654

DESCRIPTION



RFJ654 Series

The RFJ654 is a recessed LED down light made for retrofitting electrical junction boxes. Ideal for both remodel and new construction applications.



PHYSICAL SPECIFICATIONS

Housing

Stamped aluminum white painted body

Mounting

Supplied with screw kit to assemble into junction boxes

Lens Type

Frosted

Lens Material

Polycarbonate Lens

Retrofit Connector

LED Quick Connector (E26 socket kit sold separately)

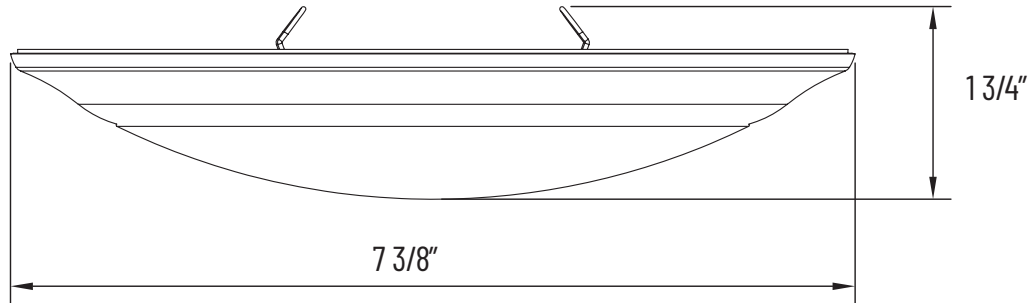
Listings

ETL Listed

Warranty

Guaranteed for 5 years from the purchase date of the product, against mechanical defects in manufacturing.

LINE DRAWING





CONTRACTOR:	
PROJECT:	DATE:
PREPARED BY:	MODEL#: RFJ654

ORDERING INFORMATION

Example: RFJ654DOB-3

SERIES	SIZE	CONFIGURATION	COLOR TEMP
RFJ	[654]: 6", 5", 4" Compatibility	[DOB]: Driver on Board	[-3]: 3000K
			[-4]: 4000K
			[-5]: 5000K

ELECTRICAL AND LIGHTING SPECIFICATIONS

Input Voltage	120 VAC
Efficacy	60+ LM/W
LED Lifespan	>54,000 HRS
Frequency	60Hz
CRI	>93
Power Factor	≥ 0.90
Input Wattage	15W
Dimmable	5-100%*
Lumens	1000+ LUMENS
Thermal Management	Heat sink integrated with fixture

APPROVED DIMMER LIST

LUTRON DIMMERS				
DV-600P-WH	DVLV-600P-WH	DVELV-300P-WH	MACL-153M-WH	NLV-600-WH
NTLV-600WH				