



CONTRACTOR:	
PROJECT:	DATE:
PREPARED BY:	MODEL#:

SERIES SPECIFICATIONS



CWLLED Series

The CWLLED series contractor wrap light provides an economical lighting solution paired with a streamline appearance. A long life LED board with an opaque polycarbonate lens ensures optimal light output and diffusion. Ideal for indoor hallways, residential utility rooms, storage closets, retail spaces, small offices and educational facilities.



CONSTRUCTION

Intended Use

The CWLLED series is for use in surface mount applications such as indoor hallways, residential utility rooms, storage closets, retail spaces, small offices and educational facilities.

Housing

Stamped steel with plastic end caps.

Finish

White powder coat

Optics

Opaque polycarbonate lens

Dimming

0-10V

Operating Temperatures

-20 - 40°C

Listings

UL listed to US and Canadian safety standards. Damp location rated.

Warranty

3-year limited warranty.

NOTE: Actual performance may differ as a result of end-user environment and application. All values are design or typical values, measured under laboratory conditions at 25 °C. Specifications subject to change without notice.

PERFORMANCE SPECIFICATIONS

SERIES	LUMENS	LPW	POWER FACTOR	CRI	MAX WATTAGE	VOLTAGE
CWLLED2-20	2300	90	0.95	82	25	120-277VAC
CWLLED4-32	4000	90	0.95	82	40	120-277VAC

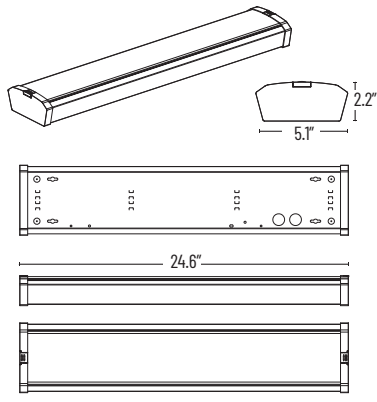
APPLICATION AND PERFORMANCE SPECIFICATION IS SUBJECT TO CHANGE WITHOUT NOTIFICATION



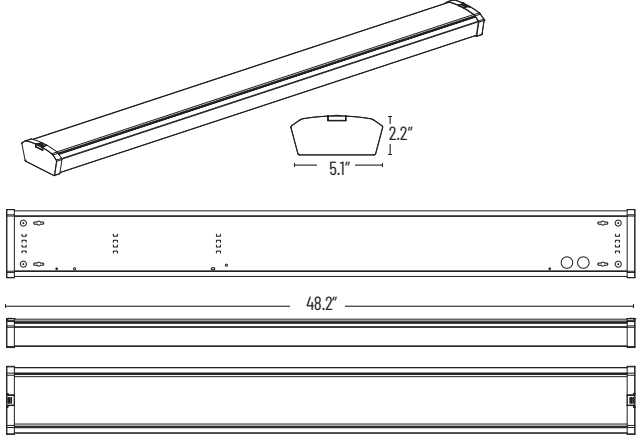
CONTRACTOR:	
PROJECT:	
PREPARED BY:	MODEL#:

LINE DRAWING

2'



4'



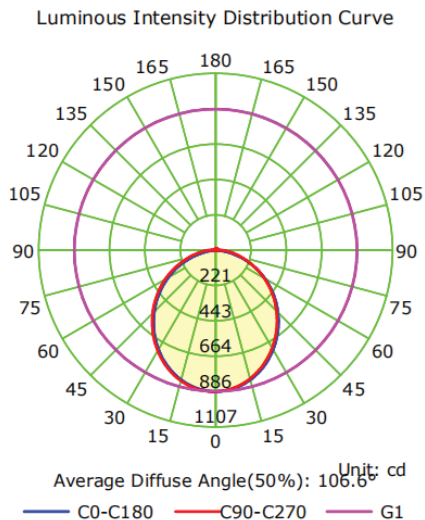
ORDERING INFORMATION

EXAMPLE: CWLLED4-32D1L850

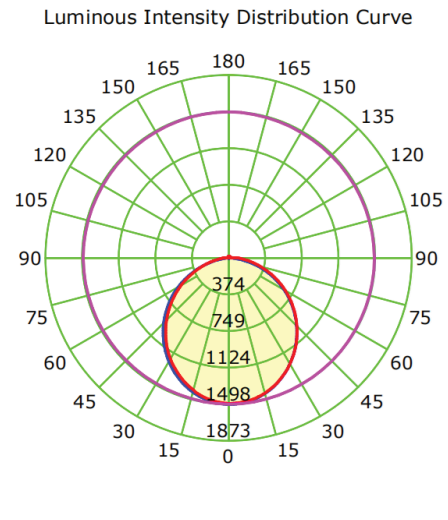
SERIES	SIZE	LUMENS & NO. OF DRIVERS	CRI	COLOR TEMP.
CWLLED	[2] : 2'	[-20D1] : 2300 Lumens	[L8] : CRI±80	[40] : 4000K
	[4] : 4'	[-32D1] : 3200 Lumens		[50] : 5000K

PHOTOMETRICS

CWLLED2-20D1L840



CWLLED4-32D1L850



APPLICATION AND PERFORMANCE SPECIFICATION IS SUBJECT TO CHANGE WITHOUT NOTIFICATION