



CONTRACTOR:	
PROJECT:	DATE:
PREPARED BY:	MODEL#:

DESCRIPTION

CTAMUFO-CSWS Series

The CTAMUFO series UFO High bays are commonly used for indoor gyms and other large open areas that require high lumens.



FEATURES AND SPECIFICATIONS

Suggested Use

Applications include large indoor spaces for manufacturing, warehousing, commercial and industrial facility lighting applications.

Construction

Finned Aluminum housing provides excellent heat dissipation allowing for better LED performance.

Optics

Shatterproof polycarbonate lens protects the optics, allowing for smooth light distribution.

Electrical

Long-life LEDs, coupled with high-efficiency drivers provide extended service life. Thermally protected driver standard. 120-277v.

Operating Temperature

-26°C - 50°C

Dimming

LED drivers deliver dimming from a 0-10V control signal. Programmable PIR sensor available for specific dimming settings.

Installation

Can be installed using supplied eye ring. Threaded mounts also available.

Listings

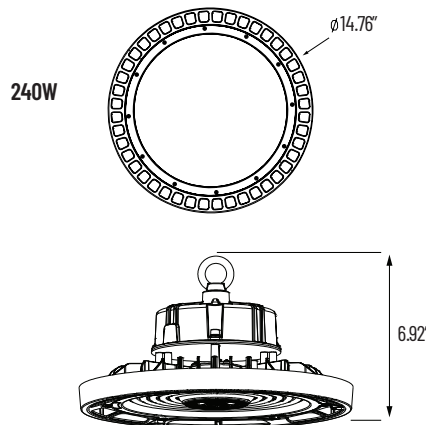
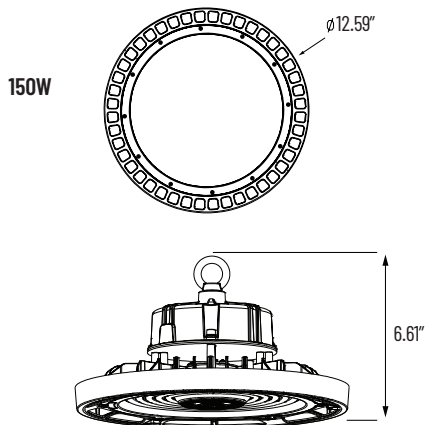
UL listed to US and Canadian safety standards. Wet location listed. DesignLights Consortium® (DLC) qualified product. Not all versions of this product may be DLC qualified. Please check the DLC Qualified Products List at www.designlights.org/QPL to confirm which versions are qualified.

Warranty

5-year limited warranty.

NOTE: Actual performance may differ as a result of end-user environment and application. All values are design or typical values, measured under laboratory conditions at 25 °C. Specifications subject to change without notice.

LINE DRAWING



APPLICATION AND PERFORMANCE SPECIFICATION IS SUBJECT TO CHANGE WITHOUT NOTIFICATION



CONTRACTOR:	
PROJECT:	DATE:
PREPARED BY:	MODEL#:

ORDERING INFORMATION

EXAMPLE: CTAMUF0150W-CSWS

SERIES	WATTAGE & CCT (SELECTABLE)	OPTIONS
[CTAMUFO]	[150W-CSWS]: 80W/110W/150W - 4000K/5000K	[Blank]: Black housing
	[240W-CSWS]: 180W/200W/240W - 4000K/5000K	[-WH]: White housing

*These units can not be connected to a dimming device when it's equipped with a Motion Sensor.

LIGHTING SPECIFICATIONS

SERIES	INPUT POWER (WATTS)	WATTAGE (SELECTABLE)	LUMENS @ 4000K	LUMENS @ 5000K	CRI	L70 (HOURS)
CTAMUF0150W-CSWS	150W	80W	12500	12300	>80	50000
		100W	15000	14800		
		150W	21500	20550		
CTAMUF0240W-CSWS	240W	180W	28000	27000		
		200W	29800	29000		
		240W	34500	33500		

GENERAL DRIVER INFORMATION

ELECTRICAL SPECIFICATIONS	
Input	
Frequency Range (Hz)	50-60 Hz (+/- 10%)
Efficiency @ Full Load	>87
Power Factor @ Full Load	>0.9
Output	
Dimming Control 0-10V	0-100%
Over Voltage Protection	Yes
Over Load Protection	Yes
Over Temperature protection	Yes
Output Short-Circuit Protection	Yes

ENVIRONMENTAL SPECIFICATIONS	
Ambient Operating Temperature	-40°F to 122°F
Listings	Suitable Wet Locations



CONTRACTOR:	
PROJECT:	DATE:
PREPARED BY:	MODEL#:

FIELD ADJUSTABLE

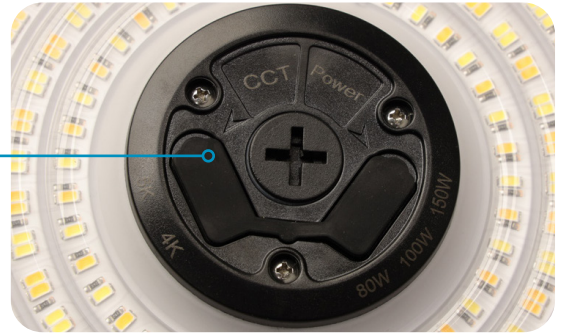
This unit is designed with selector switches for Wattage and Color Temperature.

Wattage Selectable
150W - 80W/110W/150W
240W - 180W/200W/240W

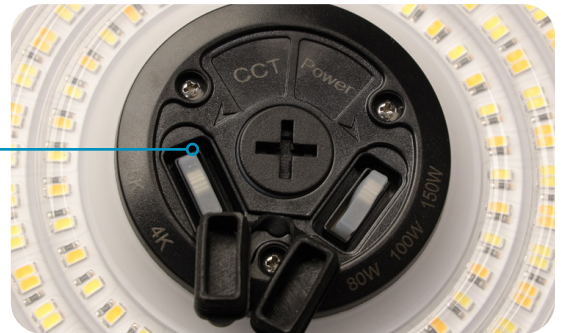
Color Selectable
4000K and 5000K



Pull back protective cover



Switch to desired setting and close protective cover



For sensor option: Remove center coin plug and screw sensor into opening until hand tight.





CONTRACTOR:	
PROJECT:	DATE:
PREPARED BY:	MODEL#:

ACCESSORIES



CTAMUFO-REMOTE
0582-9405
REMOTE FOR CTAMUFO-CSWS SENSORS



CTAMUFO-SENSOR-MW
0582-9393
MICROWAVE SENSOR FOR CTAMUFO-CSWS



CTAMUFO-SENSOR-PIR
0588-0699
PIR SENSOR FOR CTAMUFO-CSWS



CTAMUFO150W-LENS
0587-3268
REFLECTOR FOR 150W CSWS UFO



CTAMUFO240W-LENS
0587-3265
REFLECTOR FOR 240W CSWS UFO



CTAMUFOCSWS-NPT
0588-9657
3/4" NPT ADAPTER FOR CTAMUFO-CSWS



CTAMUFO150W-WG
0582-7014
WIRE GUARD FOR 150W CSWS UFO



CTAMUFO240W-WG
0582-7017
WIRE GUARD FOR 240W CSWS UFO



CTAMUFOCSWS-HOOK
0587-5974
HOOK MOUNT FOR CTAMUFO-CSWS



CTAMUFO-YOKE100150
0554-4723
YOKE MOUNT FOR 150W MODEL



CTAMUFO-YOKE200240
0554-4726
YOKE MOUNT FOR 240W MODEL

APPLICATION AND PERFORMANCE SPECIFICATION IS SUBJECT TO CHANGE WITHOUT NOTIFICATION

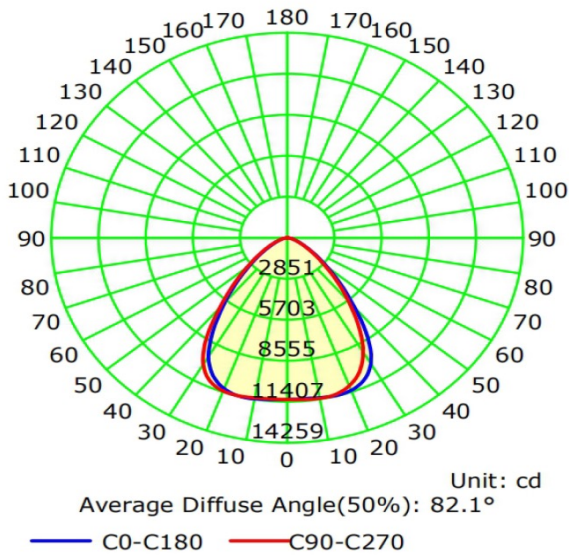


CONTRACTOR:		DATE:
PROJECT:		
PREPARED BY:	MODEL#:	

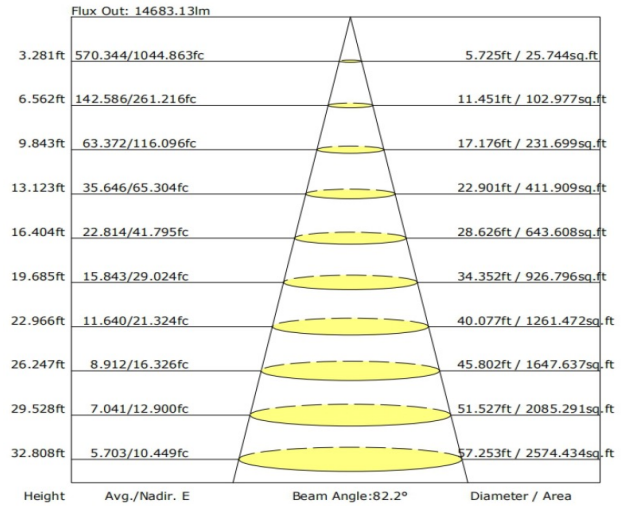
PHOTOMETRIC REPORTS

150W

Luminous Intensity Distribution Curve

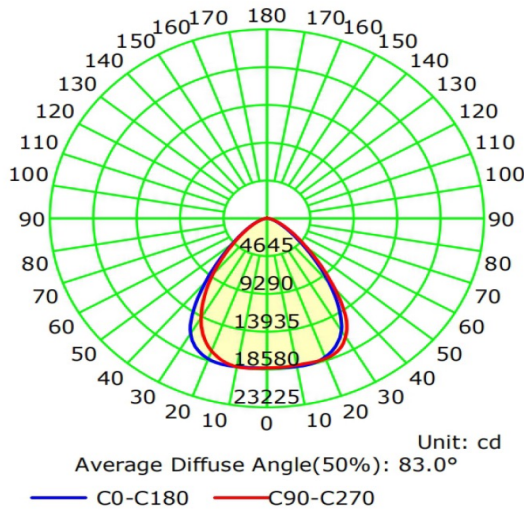


The Average Illuminance Effective Figure



240W

Luminous Intensity Distribution Curve



The Average Illuminance Effective Figure

