



CONTRACTOR:	
PROJECT:	DATE:
PREPARED BY:	MODEL#: TAHLED

**SERIES SPECIFICATIONS**



**TAHLED SERIES**

The TAHLED series highbay is a high-temp, high-output aluminum high bay with premium features and BAA compliance.



**FEATURES AND SPECIFICATIONS**

**Construction**

Aluminum body with galvanized steel secondary components. BAA compliant.

Finish: Paint after fabrication (PAF) of galvanized body adds high resistance to rust over its lifetime. This also eliminates sharp edges on the body.

**Electrical**

120v-277v standard. 70% lumen maintenance at >70,000 hours; predicted life of more than 100,000 hours. Long-life LEDs PCB mounted, coupled with high-efficiency drivers, provide extended service life. Thermally protected driver standard.

**Dimming**

LED drivers deliver dimming from a 0-10V control signal. Requires separate 0-10V DC dimming circuit. Dims down to 0% light output.

**Installation**

The TAHLED high bay is provided with a 10' suspension kit. Pendant Mounting is also available.

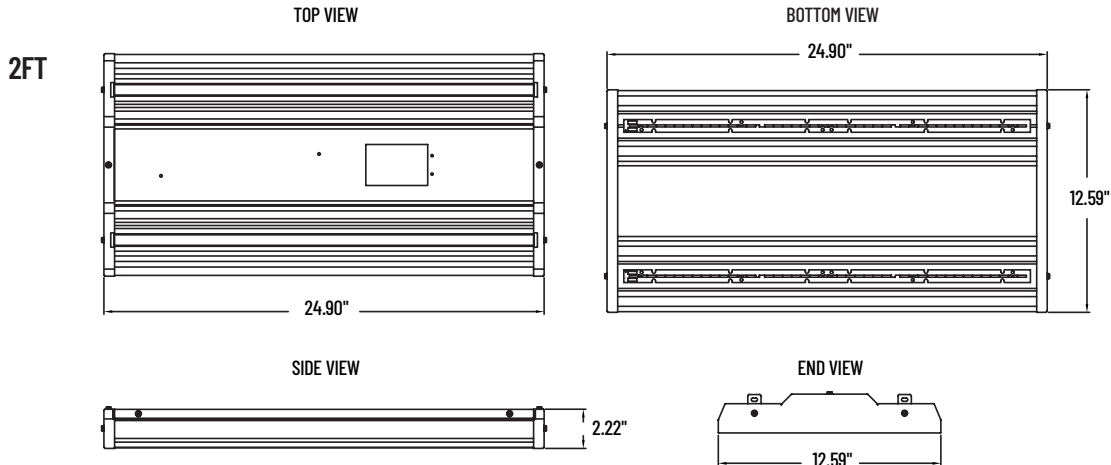
**Warranty**

Guaranteed for five years from the purchase date of the product, against mechanical defects in manufacturing.

**Listings**

CSA listed to US and Canadian safety standards. Damp location listed. Suitable for use in an indoor conditioned space

**LINE DRAWING**

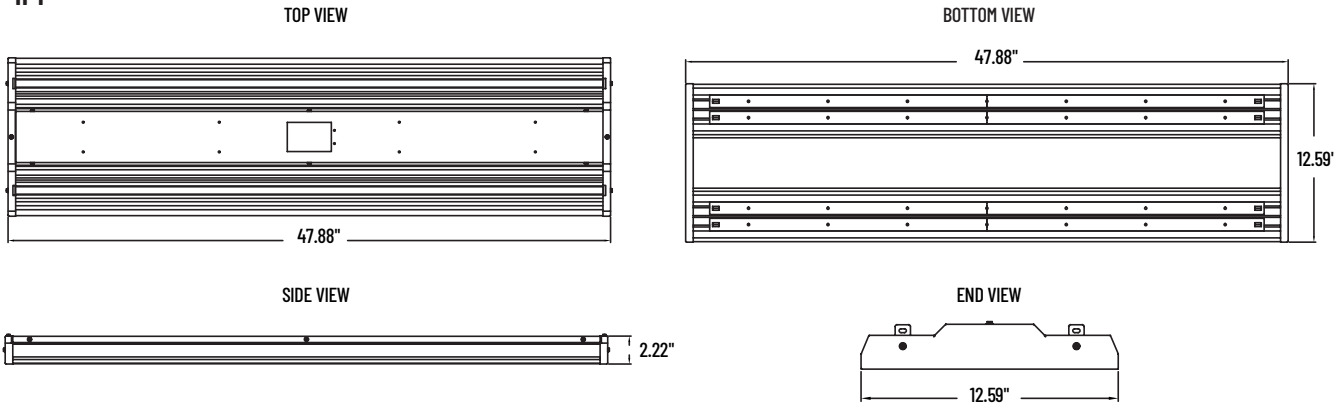




CONTRACTOR:		DATE:
PROJECT:		
PREPARED BY:	MODEL#: TAHLED	

**LINE DRAWING**

4FT



**ORDERING INFORMATION**

EXAMPLE: TAHLED2-130D1L840BK

SERIES	SIZE & LUMEN OUTPUT	CRI	COLOR TEMP	OPTIONS	EMERGENCY	FINISH
[TAHLED2] - 2ft	[-130D1]: 13,000Lm [-200D2]: 20,000Lm [-240D2]: 24,000Lm [-370D2]: 37,000Lm	[L8]: CRI+/-85	[40]: 4000K [50]: 5000K	[HT]: High Temp** [OS]: Microwave Sensor [W6-3]: Flex Whip-6' 3 Wire**** [WC6-515]: Cord-6'SJ-515 Plug****	[BLANK]: None [-EM]: 10% Light Output***	[Blank]: White [BK]: Black* [GY]: Grey* [RAL]: Custom Color*
[TAHLED4] - 4ft	[-130D1]: 13,000Lm [-200D2]: 20,000Lm [-360D4]: 36,000Lm [-400D4]: 40,000Lm					

\*MOQ Required- Please contact factory for details.  
 \*\*Ambient Temperature rating of 122°F.  
 \*\*\*Emergency Backup - Available only on fixtures up to 40,000 lumens.  
 \*\*\*\*Additional whip, cord and plug configurations available please consult factory.  
 Higher Lumen and High Temperature options available upon request - Please contact factory for details.

**LIGHTING SPECIFICATIONS**

SERIES	DELIVERED LUMENS	LPW	POWER CONSUMPTION (WATTS)	VOLTAGE	CRI	L70 (HOURS)
TAHLED2-130D1	12,086	159	76	120-277v	85	70,000
TAHLED2-200D2	20,922	156	134	120-277v	85	70,000
TAHLED2-240D2	24,073	155	155	120-277v	85	70,000
TAHLED2-370D2	37,139	130	155	120-277v	85	70,000
TAHLED4-130D1	13,048	171	76	120-277v	85	70,000
TAHLED4-200D2	22,582	168	134	120-277v	85	70,000
TAHLED4-360D4	34,381	168	204	120-277v	85	70,000
TAHLED4-400D4	42,631	142	319	120-277v	85	70,000



CONTRACTOR:	
PROJECT:	DATE:
PREPARED BY:	MODEL#: TAHLED

**PERFORMANCE SPECIFICATIONS**

GENERAL DRIVER INFORMATION

ELECTRICAL SPECIFICATIONS	
<b>Input</b>	
Frequency Range (Hz)	50-60 Hz (+/- 10%)
Power Factor @ Full Load	>0.9
<b>Output</b>	
Dimming Control 0-10V	0-100%
Over Voltage Protection	YES
Over Load Protection	YES
Over Temperature protection	YES
Output Short-Circuit Protection	YES

ENVIRONMENTAL SPECS	
Ambient Operating Temperature	-4°F to 104°F
Listings	Suitable for Dry and Damp Locations

**ACCESSORIES**



**Suspension Cables:**  
**10' Suspension Kit**  
**TAMGRIP-10FT-KIT (0553-3296)**

Single point suspension that allows two point to be suspended using one fastener. Two legs improve center of gravity and increases stability. Ideal for services that require maintenance. **INCLUDED**



**V Hangers:**  
**HB-4L-VHANGER (0392-3559)**

V hangers offer stability when used with a loop cable system. **SOLD SEPARATELY**



**Sensor:**  
**Occupancy Sensor**  
**MC601V (0546-0810)**

Microwave motion sensor detects movement and offers a wide range of options. **OPTIONAL**

- Factory Settings:**
- Detection area: 100%
  - Hold time: 5s
  - Stand-by Period: 5s
  - Stand-by dim level: 10%
  - Daylight Sensor: Disable

For specific settings, see below- Please contact factory for more details.



CONTRACTOR:		DATE:
PROJECT:		
PREPARED BY:	MODEL#: TAHLED	

**SENSOR PROGRAMMING (CUSTOM)**

**FACTORY SETTING:**

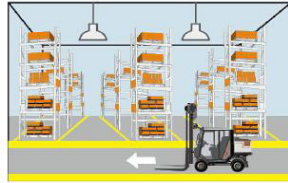
Detection area: 100%, Hold time: 5s, Stand-by Period: 5s, Stand-by dim level: 10%, Daylight Sensor: Disable

<b>DETECTION AREA:</b>	100%	75%	50%	10%			
<b>HOLD TIME:</b>	5 sec	30 sec	90 sec	3 min	20 min	Infinite	
<b>STAND-BY PERIOD:</b>	0 sec	5 sec	5 min	10 min	30 min	1 hour	Infinite
<b>DAYLIGHT SENSOR:</b>	2 lux	5 lux	10 lux	25 lux	50 lux	100 lux	Disable
<b>STAND-BY DIM LEVEL:</b>	50%	30%	20%	10%			

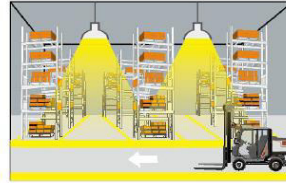
**STAND-BY DIM LEVEL:**

\*PLEASE NOTE:  
FOR ON/OFF FUNCTION  
ALONE, DAYLIGHT SENSOR  
MUST BE SET TO DISABLED

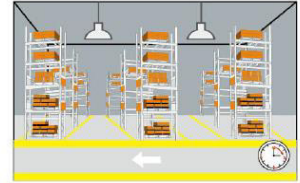
**1. On-off function (Stand-by Period "0s")**



1. With sufficient ambient light, the light will not be switched on even if with motion signal.

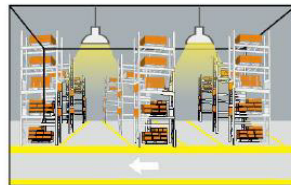


2. With insufficient ambient light, the sensor switches on the light when motion is detected.

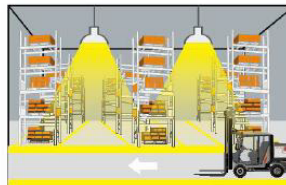


3. After elapse of hold time, the sensor switches off the light when no motion is detected.

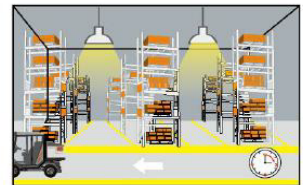
**2. 2-step dimming function (Stand-by Period "+ ∞")**



1. If there is no motion detected, the light will be remained at a low light level all the time.

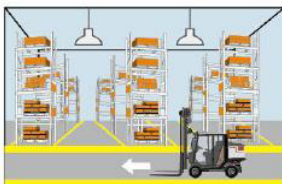


2. When motion is detected, the sensor will switch on the light to 100% brightness.

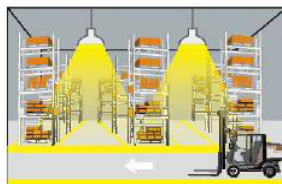


3. After elapse of hold time, the sensor dims the light at the present low light level if no motion is detected.

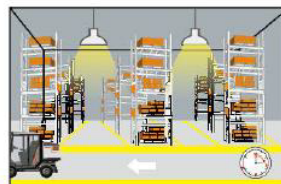
**3. 3-step dimming function (Stand-by Period "5s/5min/10min/30min/1h")**



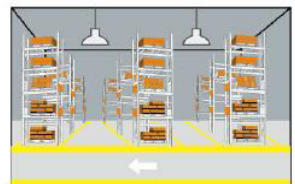
1. With sufficient ambient light, the light will not be switched on even if with motion signal.



2. With insufficient ambient light, the sensor switches on the light when motion is detected.



3. After elapse of hold time, the sensor dims the light at a low light level if no new motion is detected.



4. After elapse of standby period, the sensor switches off the light if no motion is detected in the detection zone.