



CONTRACTOR:	
PROJECT:	DATE:
PREPARED BY:	MODEL#:

SERIES SPECIFICATIONS



MWPWSCS SERIES

The MWP field adjustable mini wallpack is a versatile wall pack packed with a 3in1 field adjustable switch. The fixture is wattage and color selectable. The fixture also comes with a photocell control with a switch to turn on/off in the field.



FEATURES & SPECIFICATIONS

Intended Use:

The mini wall pack is a great choice for both residential and commercial applications where a small, compact, durable fixture is required.

Applications:

Commerical buildings, entryways, walkways

Construction:

Durable die-cast aluminum housing with bronze powder coat finish.

Dimming:

0-10V

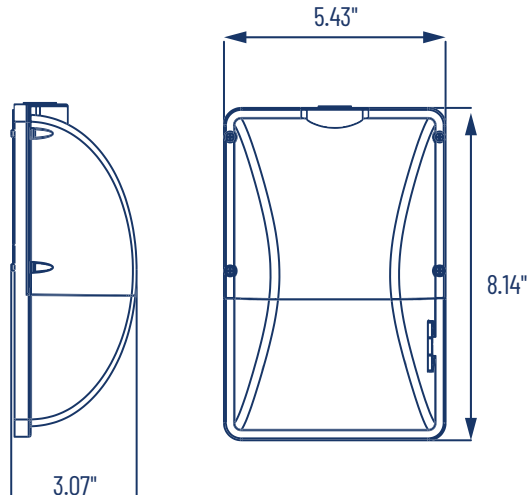
Listings:

UL listed to US and Canadian safety standards. Wet location listed. For use in ambient operating temperatures ranging from -40°C~+40°C

Warranty:

5-year limited warranty.

LINE DRAWINGS





CONTRACTOR:	
PROJECT:	DATE:
PREPARED BY:	MODEL#:

ORDERING INFORMATION

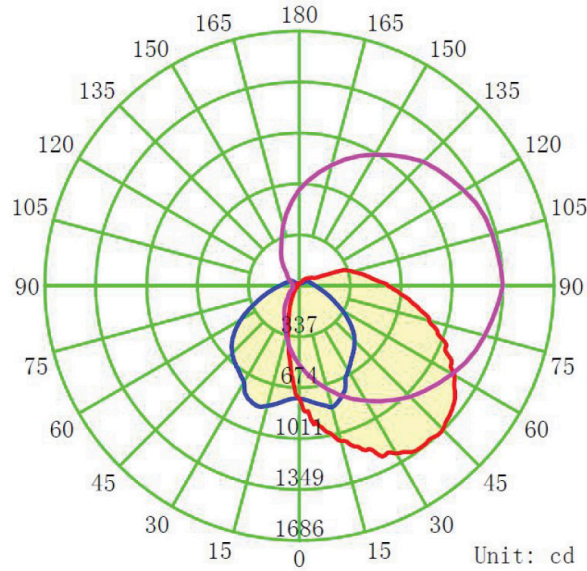
Example: MWPWSCS

SERIES	WATTAGE	COLOR TEMP
MWP	[WS]: 30W,20W,10W	[CS]: 3K,4K,5K

LIGHTING SPECIFICATIONS

Series	Lumens	LPW	Wattage	Voltage	CRI
MWP	3600	123.96	30	100-277V	70

PHOTOMETRIC REPORTS



— C0-C180 — C90-C270 — G44