



CONTRACTOR:	
PROJECT:	DATE:
PREPARED BY:	MODEL#:

**DESCRIPTION**



**MTR0 Series**

The MTR0 series canopy fixture is designed to illuminate outdoor covered areas, providing wide area light coverage. The weatherproof powder coated aluminum housing ensures a reliable service life. Ideal for surface mount applications such as parking garages, covered walkways and building entrances, it provides enhanced visibility and security for commercial settings.



**CONSTRUCTION**

**Housing**

Die cast aluminum

**Finish**

Bronze powder coat

**Optics**

High transmission polycarbonate

**Dimming**

0-10V

**Operating Temperatures**

-40°C~+40°C

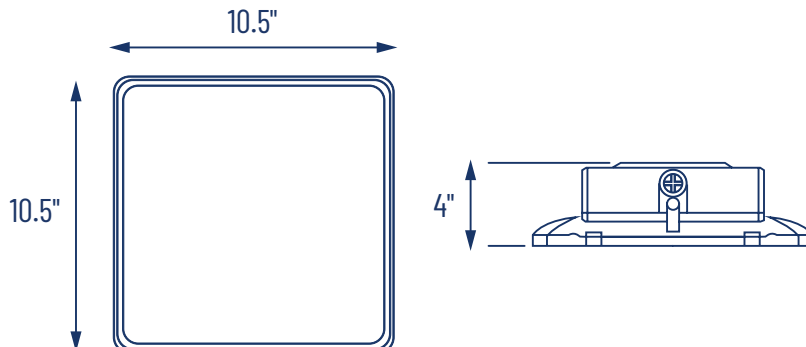
**Listings**

UL listed to US safety standards. Wet location listed. DesignLights Consortium® (DLC) qualified product. Not all versions of this product may be DLC qualified. Please check the DLC Qualified Products List at [www.designlights.org/QPL](http://www.designlights.org/QPL) to confirm which versions are qualified.

**Warranty**

5-year limited warranty. NOTE: Actual performance may differ as a result of end-user environment and application. All values are design or typical values, measured under laboratory conditions at 25 °C. Specifications subject to change without notice.

**LINE DRAWINGS**



APPLICATION AND PERFORMANCE SPECIFICATION IS SUBJECT TO CHANGE WITHOUT NOTIFICATION



CONTRACTOR:	
PROJECT:	DATE:
PREPARED BY:	MODEL#:

**ORDERING INFORMATION**

Example: MTR0 1WSCS BZ

SERIES	WATTAGE	COLOR TEMP.	FINISH
MTR0	[ 1WS ]: 23/34/45W [ 2WS ]: 35/53/70W	[ CS ]: Selectable 3000K/4000K/5000K	[ BZ ]: BRONZE

**LIGHTING SPECIFICATIONS**

SERIES	LUMENS	LPW	WATTAGE	VOLTAGE	CRI
MTR0 1WSCS BZ	6300lm@4000K 5850lm@3000K 5000K	140lm/W@4000K 130lm/W@3000K 5000K	23/34/45W	120-347VAC	≥70
MTR0 2WSCS BZ	9800lm@4000K 9100lm@3000K 5000K	140lm/W@4000K 130lm/W@3000K 5000K	35/53/70W	120-347VAC	≥70

**ELECTRICAL SPECIFICATIONS**

SERIES	MTR0 2WSCS BZ	MTR0 2WSCS BZ
Input Voltage (VAC)	120-347VAC	120-347VAC
Frequency Range (Hz)	50/60Hz	50/60Hz
Power Factor @ Full Load	>0.9	>0.9
Dimming Control 1-10V	0-10V	0-10V
Over Voltage Protection	YES	YES
Over Load Protection	YES	YES
Over Temperature protection	YES	YES
Output Short-Circuit Protection	YES	YES

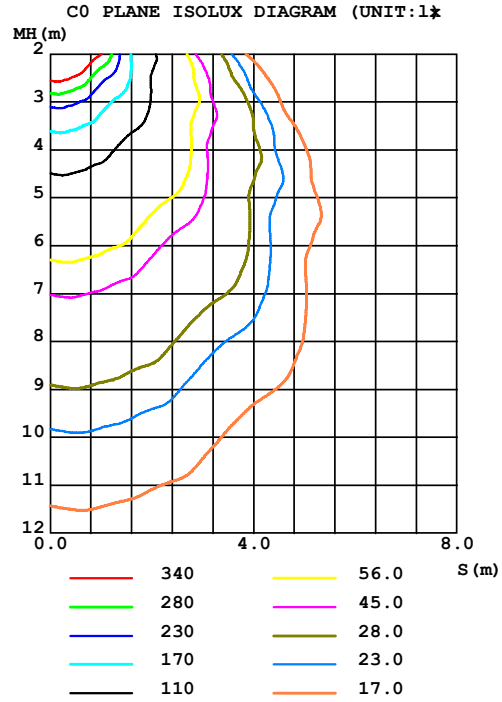
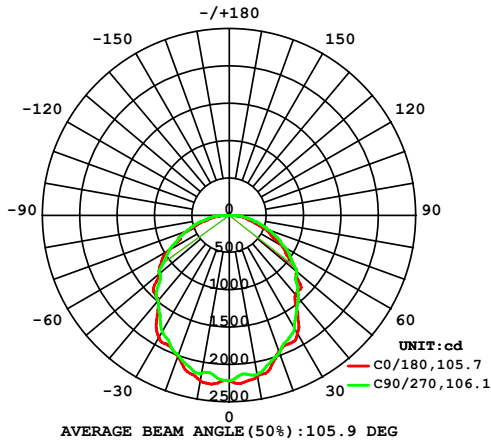
APPLICATION AND PERFORMANCE SPECIFICATION IS SUBJECT TO CHANGE WITHOUT NOTIFICATION



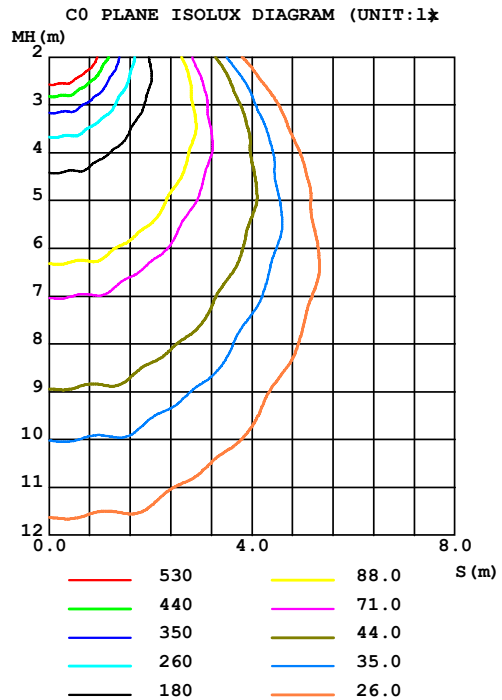
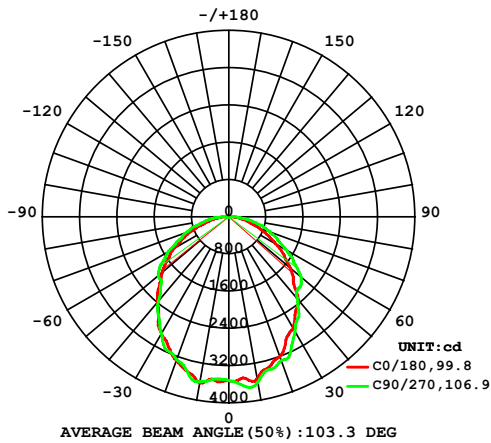
CONTRACTOR:	
PROJECT:	DATE:
PREPARED BY:	MODEL#:

**PHOTOMETRICS**

( 45W )



( 70W )



APPLICATION AND PERFORMANCE SPECIFICATION IS SUBJECT TO CHANGE WITHOUT NOTIFICATION



CONTRACTOR:	
PROJECT:	DATE:
PREPARED BY:	MODEL#:

**ADJUSTMENT INFORMATION**

Color select switch is accessed inside the fixture housing. WW (3000K), NW (4000K), and CW (5000K) CCT.

Wattage select switch is also accessed inside the fixture housing. Wattage can be switched between H(High), M(Medium) and L(Low). Max wattage setting is default. MTR0 1WSCS 23/34/45W. MTR0 2WSCS 45/55/70W.

