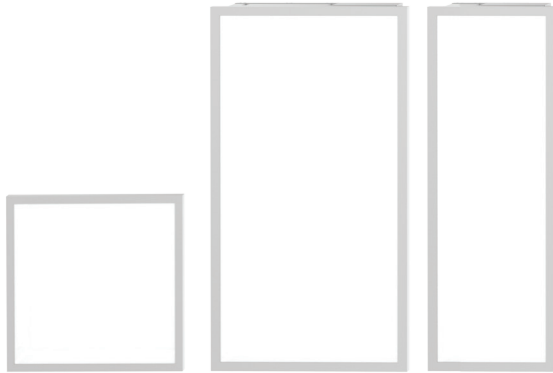




CONTRACTOR:	
PROJECT:	DATE:
PREPARED BY:	MODEL#:

DESCRIPTION



BLP-CSWS-DIM2 Series

Wattage and Color Selectable LED Backlit Panel Light - GEN 2

This new LED back-lit panel brings a refreshing replacement to standard edge-lit panels. These back-lit units are lighter, brighter and more efficient than standard edge-lits, while providing the same edge-to-edge light diffusion.



CONSTRUCTION/ WARRANTY

Intended Use

2'x2' and 2'x4' LED Flat Panel Back Lit Panel Series with selectable CCT and Wattage (optional) are an ideal solution to lay in drop ceilings in offices, schools, and healthcare applications, delivering uniform light. The adjustable features allow for on the spot changes in CCT and brightness with the flip of a switch that's located on the rear of the unit.

Construction

Compact construction. Aluminum frame + PS diffuser + PMMA optical lenses. The state of the art construction means no yellowing of the lens assembly. Finish: White

Optics

State of the art PMMA optics mounted directly to the LED chips distributes light evenly within the fixture housing. BLP series flat panels have a beam angle of 120°.

Lens

Milky lens delivering the uniform lighting.

Dimming

LED drivers deliver dimming from a 0-10V control signal.

Installation

This fixture is intended to be recessed mounted, but can be surface mounted with a surface mount kit (Sold Separate). This fixture has multiple knockouts for easy installation.

Listings

ETL listed to US and Canadian safety standards. DesignLights Consortium® (DLC) qualified product. Not all versions of this product may be DLC qualified. Please check the DLC Qualified Products List at www.designlights.org/QPL to confirm which versions are qualified.

Safety Standards	UL8750
EMC Standards	FCC Part15

For use in ambient operating temperatures ranging from -4°F - +120°F.

Warranty

Guaranteed for five years from the purchase date of the product, against mechanical defects in manufacturing.

NOTE: Actual performance may differ as a result of end-user environment and application. All values are design or typical values, measured under laboratory conditions at 25 °C. Specifications subject to change without notice.



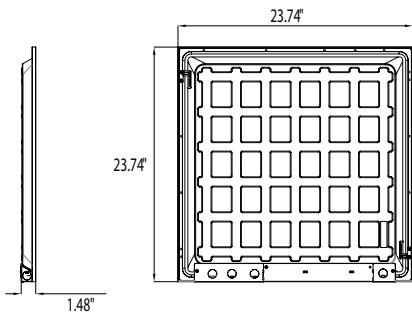
CONTRACTOR:	
PROJECT:	DATE:
PREPARED BY:	MODEL#:

LINE DRAWINGS

Dimensions	Length (L)	Height (H)	Width (W)	Weight (lbs)
BLP22-CSWS	23.74"	1.48"	23.74"	4.19
	With EM: 23.74"	With EM: 2.38"	With EM: 23.74"	With EM: 6.4
BLP24-CSWS	47.62"	1.48"	23.74"	9.92
	With EM: 47.62"	With EM: 2.38"	With EM: 23.74"	With EM: 10.5

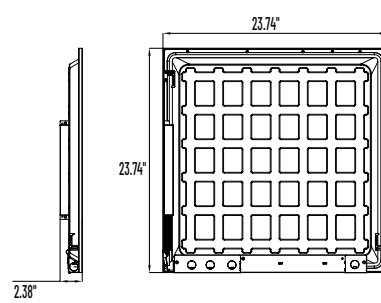
Dimensions Non EMB

2X2

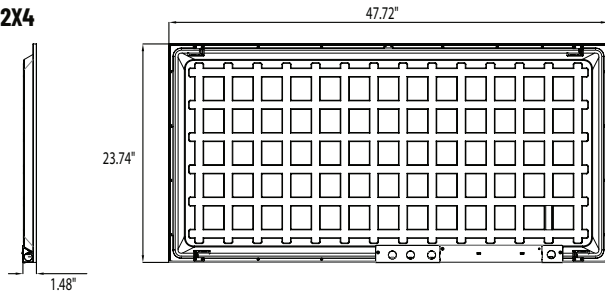


Dimensions with EMB

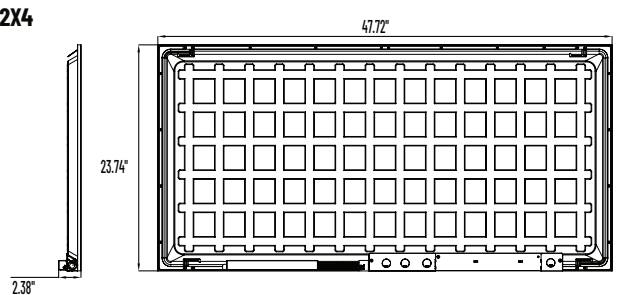
2X2



2X4



2X4



APPLICATION AND PERFORMANCE SPECIFICATION IS SUBJECT TO CHANGE WITHOUT NOTIFICATION



CONTRACTOR:	
PROJECT:	DATE:
PREPARED BY:	MODEL#:

ORDERING INFORMATION

Example: BLP22-CSWS-DIM2-W

SERIES	SIZE	COLOR TEMP	WATTAGE	DIMMING	TRIM COLOR	EMERGENCY
BLP	[22] : 2' x 2'	[-CS] : 35/4K/5K	[WS] : 30/35/40W	[-DIM2] : Dimmable	[-W] White Trim (Standard)	[BLANK] : No Option [-EM] : EM BACKUP, 10% LIGHT OUTPUT
BLP	[24] : 2' x 4'	[-CS] : 35/4K/5K	[WS] : 30/40/50W			[BLANK] : No Option [-EM] : EM BACKUP, 10% LIGHT OUTPUT

PERFORMANCE SPECIFICATIONS

SERIES	LUMENS	LPW	POWER FACTOR	CRI	MAX WATTAGE
BLP22-CSWS-DIM2-W	3750/4375/5000Lm	125Lm/W	>0.9	>80	40W
BLP24-CSWS-DIM2-W	3750/5000/6250Lm	125Lm/W	>0.9	>80	50W

GENERAL DRIVER INFORMATION

ELECTRICAL SPECIFICATIONS	30W/ 36W/ 50W
Type: Constant Current	
Input	
Rated Input Voltage	120-277V AC
Range of Input Voltage	100-305V AC
Frequency	50/60Hz
THD @ Full Load	≤15%@ 277V AC
Output	
Max. Output Power	50W

ENVIRONMENTAL SPECIFICATIONS	30W/ 36W/ 50W
Ambient Range	-4°F - +120°F
Max. Storage Temp.	-22°F - +170°F

APPLICATION AND PERFORMANCE SPECIFICATION IS SUBJECT TO CHANGE WITHOUT NOTIFICATION



CONTRACTOR:		DATE:
PROJECT:	MODEL#:	
PREPARED BY:		

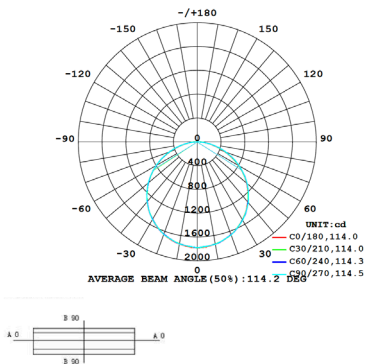
ACCESSORIES (SOLD SEPARATELY)

DESCRIPTION	PART NUMBER	SIZE	IMAGE
Surface Mount KIT Steel housing, painted white. This kit can be mounted onto a rigid surface. (Non-DLC, Non-ETL)	BLPSM22 Surface mount kit BLPSM22-EM Surface mount kit for EM option	BLPSM22 Dimensions: L 24" x W 24" x H 2.4" BLPSM22-EM Dimensions: L 24" x W 24.55" x H 4.33"	
	BLPSM24 Surface mount kit BLPSM24-EM Surface mount kit for EM option	BLPSM24 Dimensions: L 48" x W 24.06" x H 2.4" BLPSM24-EM Dimensions: L 48" x W 24.55" x H 4.33"	
Recessed KIT Steel components, painted white. This kit allows for installation in a recessed ceiling cavity, typically gypsum board or wood. (Non-DLC, Non-ETL)	BLP22-FK	2x2' Opening Size : 24.6" x 24.6"	
	BLP24-FK	2x4' Opening Size : 48.66" x 24.40"	

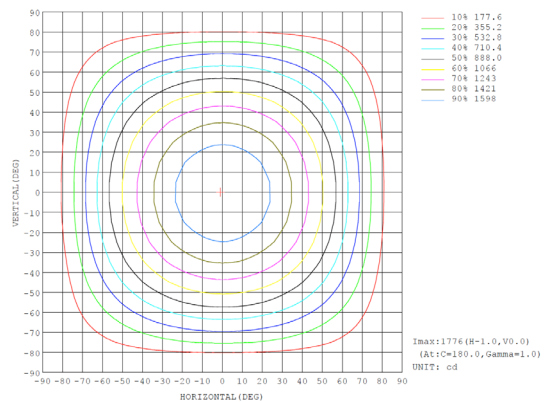
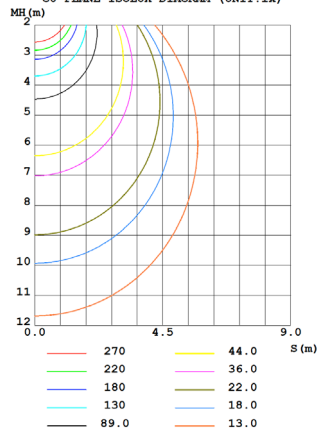
PHOTOMETRIC REPORTS @4000K

BLP22-CSWS-DIM2

LUMINOUS INTENSITY DISTRIBUTION DIAGRAM



CO PLANE ISOLUX DIAGRAM (UNIT:lx)



APPLICATION AND PERFORMANCE SPECIFICATION IS SUBJECT TO CHANGE WITHOUT NOTIFICATION

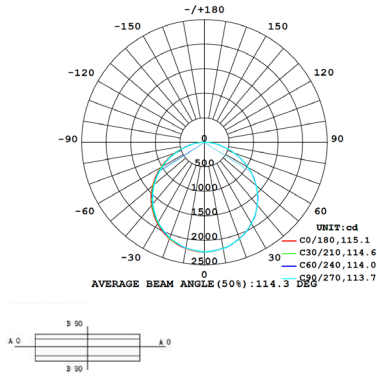


CONTRACTOR:	
PROJECT:	DATE:
PREPARED BY:	MODEL#:

PHOTOMETRIC REPORTS @4000K

BLP24-CSWS-DIM2

LUMINOUS INTENSITY DISTRIBUTION DIAGRAM



CO PLANE ISOLUX DIAGRAM (UNIT:lx)

